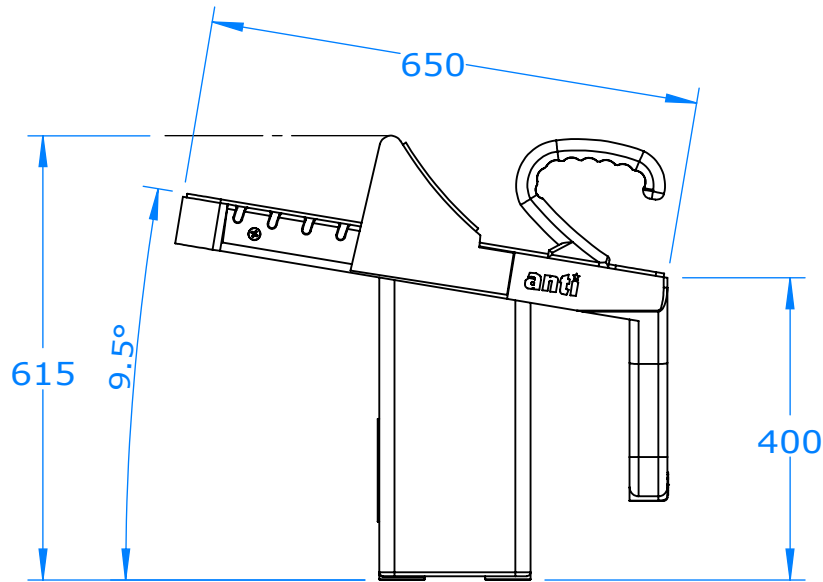
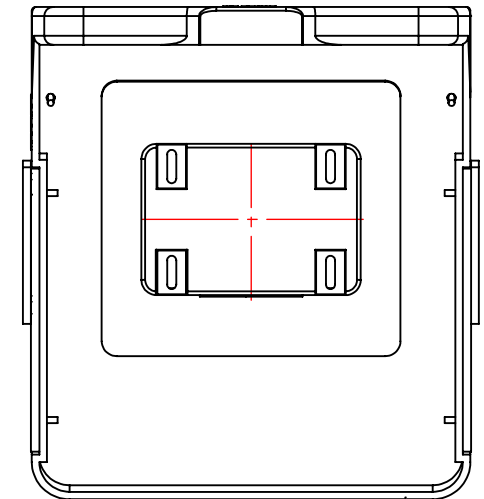


**front view**

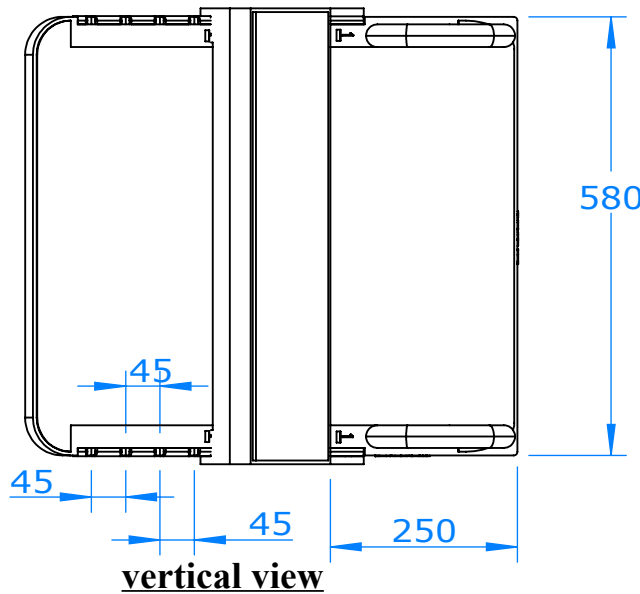
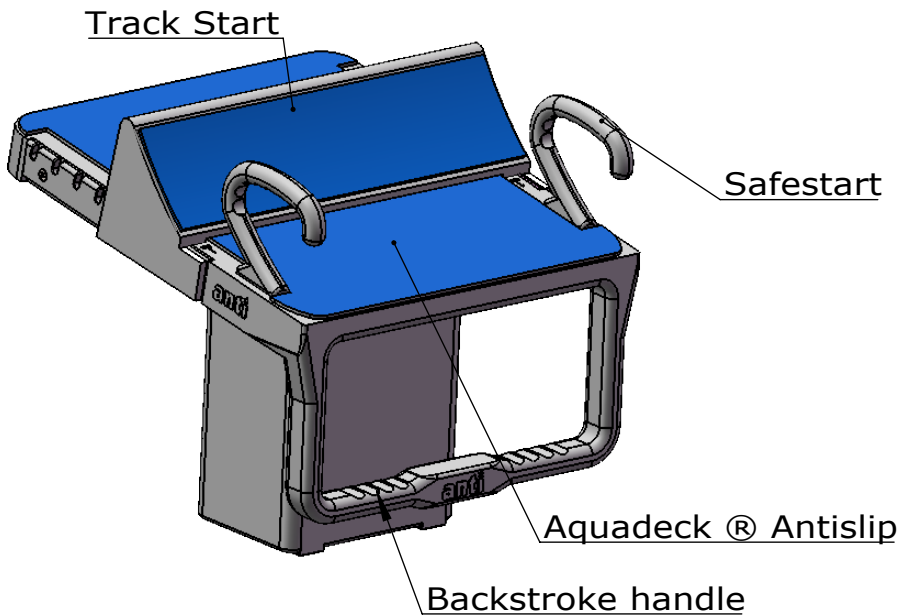


**side view**

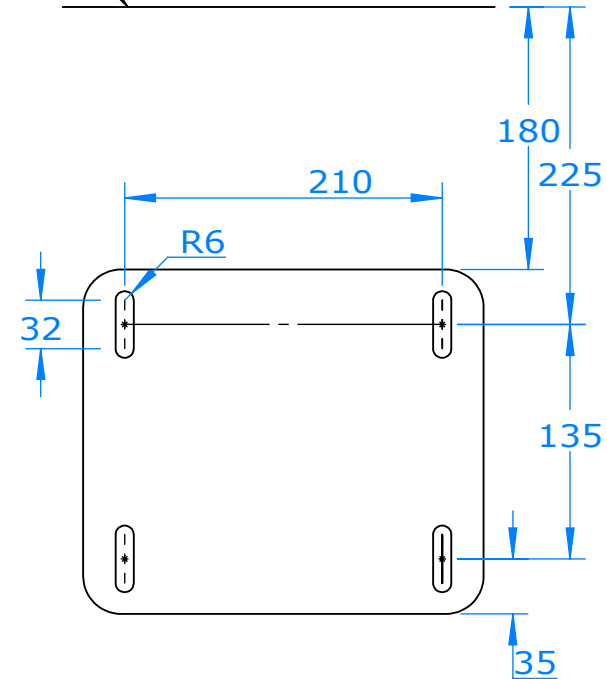


**bottom view**

Pool Edge



**vertical view**



Project Name:				Product Name:				Project No.		Product No.	
Superblock 650				Superblock 650				Drawn Date		Verify Date	
Drawn	Brian	Scale	1:10	Patents	2001285610; 7100219; 4048677; 01818714.5 & 2003/2920 e.g.						