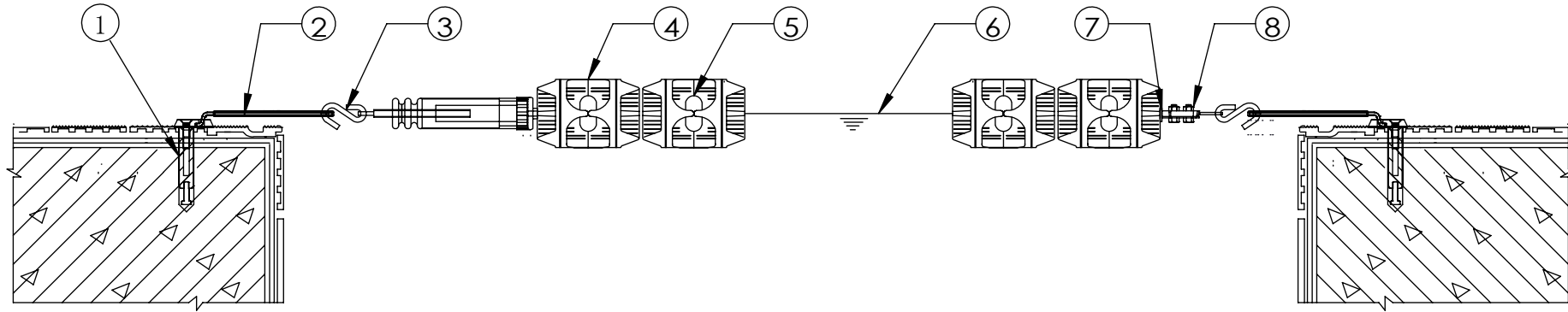


Anti Wave Swimming Lane

Open Drawing



Item No.	Parts Name	Quantity
1	Chem set Anchor	2
2	Overflow Lane Anchor	2
3	Super Tensioner	1
4	Disc(Midi 110mm or Maxi 150mm)	As many as the length of the Pool
5	Float/Donut	As many as the length of the Pool
6	3.1mm SS316 Cable	3m longer than the length of the Lane
7	Small Washer	2
8	Long Clamp	1



PROPRIETARY AND CONFIDENTIAL
The information contained in this drawing is the sole property of ANTI WAVE, Int'l any reproduction in part or as a whole without the written permission of ANTI WAVE is prohibited.

©ANTI WAVE 2015

Project Name:
Anti Wave Racing Lane

Product Name:
Swimming Lane

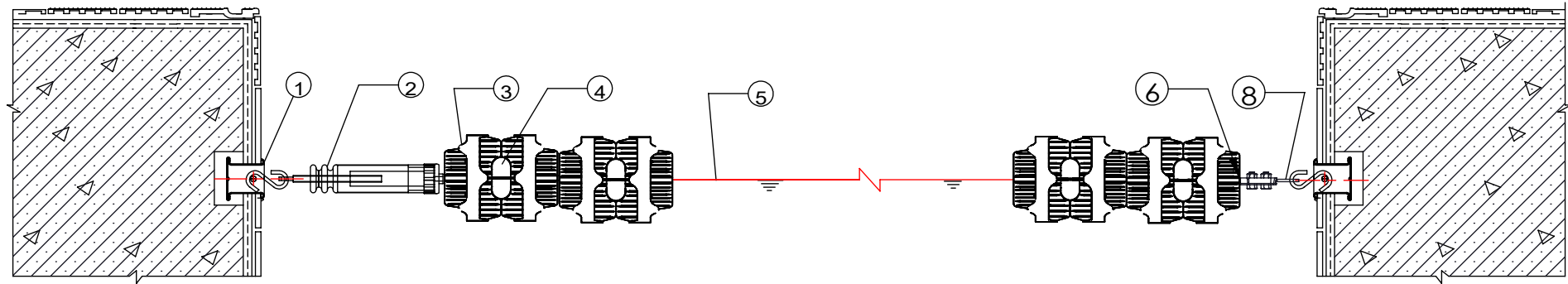
Project No. AWE00130 Product No. 01

Drawn Date 2015/12/31 Verify Date

Drawn Brian Sale No Patents 2001285610; 7100219; 4048677; 01818714.5 & 2003/2920 e.g.

Anti Wave Swimming Lane

Open Drawing



Item No.	Parts Name	Quantity
1	Lane Anchor	2
2	Super Tensioner	1
3	Disc(Midi 110mm or Maxi 150mm)	As many as the length of the Pool
4	Float/Donut	As many as the length of the Pool
5	3.1mm SS316 Cable	3m longer than the Lane you order
6	Small Washer	2
7	Long Clamp	1



PROPRIETARY AND CONFIDENTIAL

The information contained in this drawing is the sole property of ANTI WAVE, Int'l any reproduction in part or as a whole without the written permission of ANTI WAVE is prohibited.

©ANTI WAVE 2015

Project Name:
Anti Wave Racing Lane

Product Name:
Swimming Lane

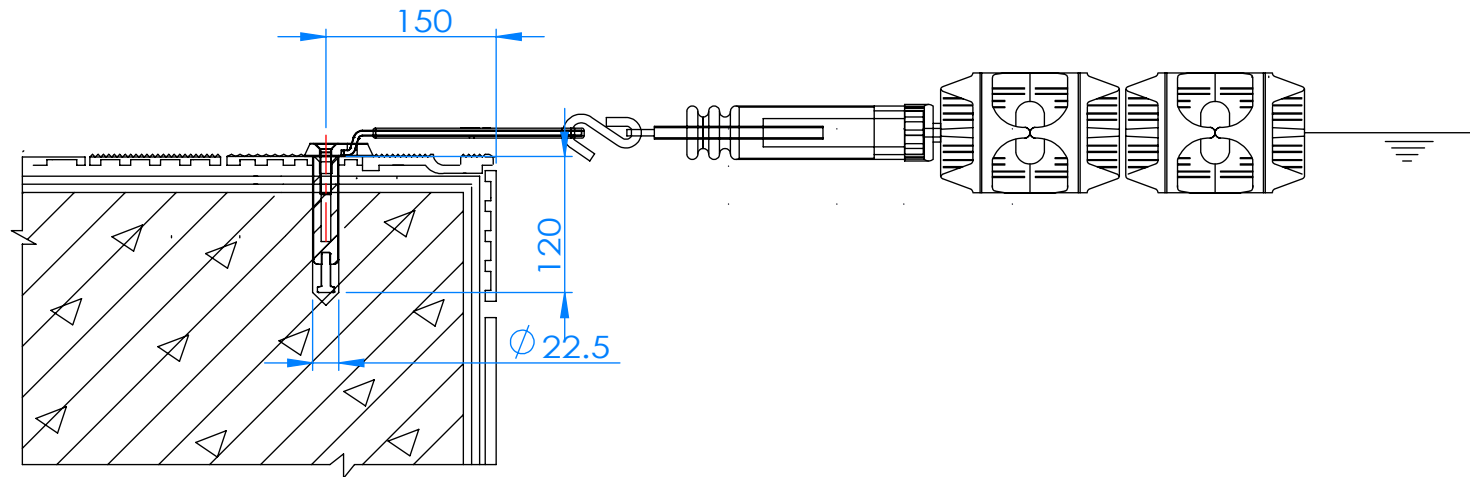
Project No. AWE00130 Product No. 02

Drawn Date 2015/12/31 Verify Date

Drawn Brian Scale No Patents 2001285610; 7100219; 4048677; 01818714.5 & 2003/2920 e.g.

Anti Wave Swimming Lane

Open Drawing



Note:

1. Core drill a hole which is 22.5mm wide and 120mm deep.
2. Chisel out the back of the hole to a wedge-shaped profile as shown, using a small jack hammer drill.
3. Tape up around the edge of the hole with duct tape to minimise mess.
4. Make a firm stiff mix of 2-part vertical application epoxy (enough for two holes at a time). You may wish to add a little fine sand to the mix.
5. Coat the inside of the hole and the back of the anchor; use more than you need.
6. Push the anchor in and turn to seat correctly. Reuse the excess mixture which oozes from the hole to start the next anchor.
7. Clean up and allow one week before stressing the anchor.



PROPRIETARY AND CONFIDENTIAL

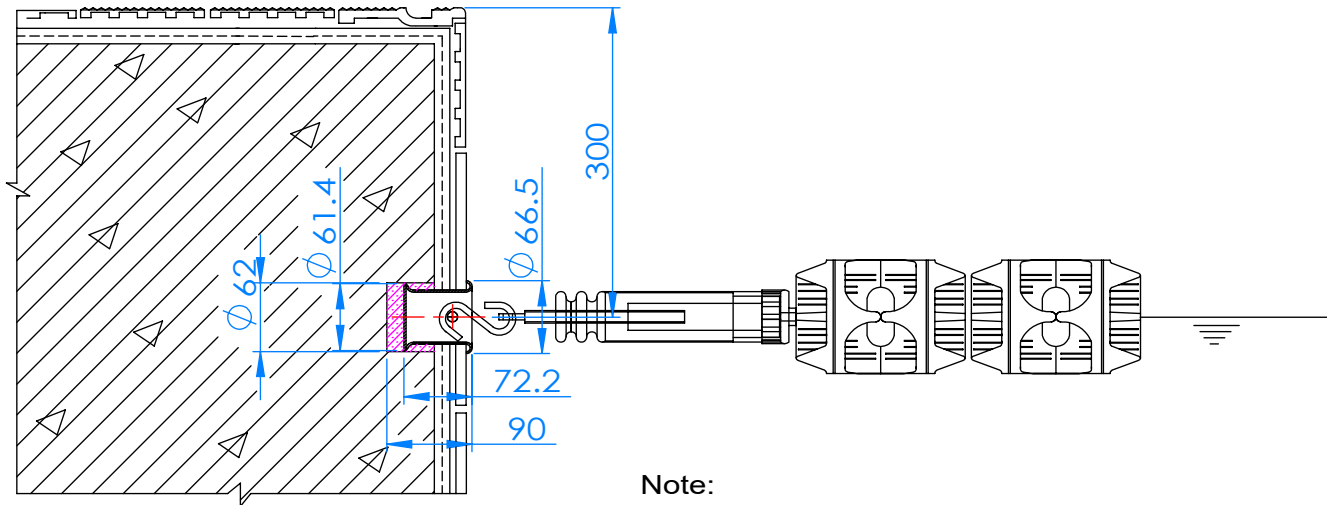
The information contained in this drawing is the sole property of ANTI WAVE, Int'l any reproduction in part or as a whole without the written permission of ANTI WAVE is prohibited.

©ANTI WAVE 2015

Project Name:				Product Name:				Project No.	AWE00130	Product No.	03
Anti Wave Racing Lane				Lane Anchor Installation				Drawn Date	2015/12/30	Verify Date	
Drawn	Brian	Scale	No	Patents	2001285610; 7100219; 4048677; 01818714.5 & 2003/2920 e.g.						

Anti Wave Swimming Lane

Open Drawing



Note:

1. Core drill a hole which is 62mm wide and 90mm deep.
2. Chisel out the back of the hole to a wedge-shaped profile as shown, using a small jack hammer drill.
3. Tape up around the edge of the hole with duct tape to minimise mess.
4. Make a firm stiff mix of 2-part vertical application epoxy (enough for two holes at a time). You may wish to add a little fine sand to the mix.
5. Coat the inside of the hole and the back of the anchor; use more than you need.
6. Push the anchor in and turn to seat correctly. Reuse the excess mixture which oozes from the hole to start the next anchor.
7. Clean up and allow one week before stressing the anchor.



PROPRIETARY AND CONFIDENTIAL

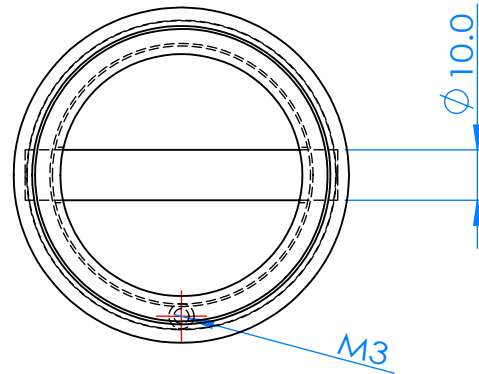
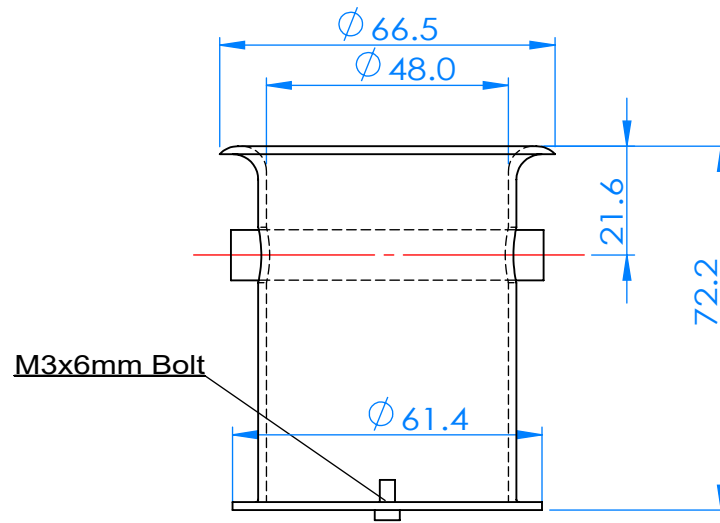
The information contained in this drawing is the sole property of ANTI WAVE, Int'l any reproduction in part or as a whole without the written permission of ANTI WAVE is prohibited.

©ANTI WAVE 2015

Project Name:				Product Name:		Project No.	AWE00130	Product No.	04
Anti Wave Racing Lane				Lane Anchor Installation		Drawn Date	2015/12/31	Verify Date	
Drawn	Brian	Scale	No	Patents	2001285610; 7100219; 4048677; 01818714.5 & 2003/2920 e.g.				

Anti Wave Swimming Lane

Open Drawing



Note:

1. The material of the Anchor is Stainless steel 316.

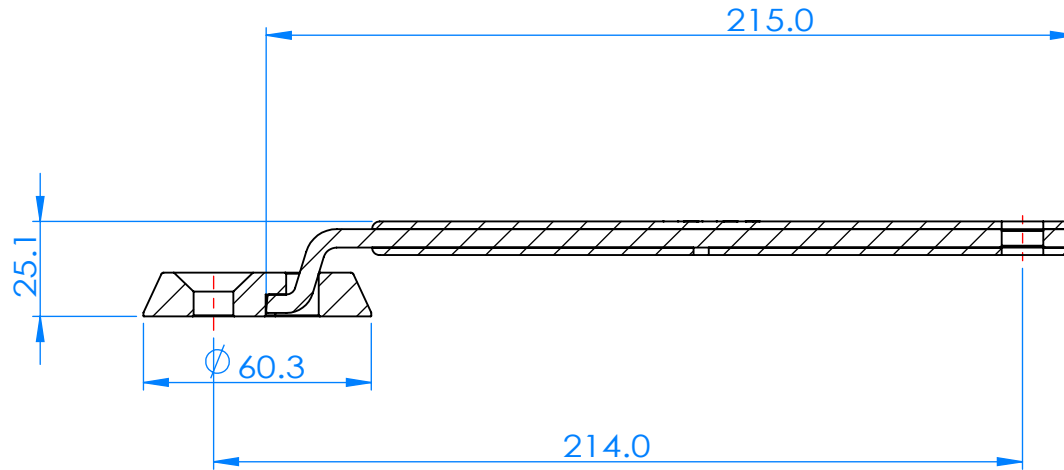


PROPRIETARY AND CONFIDENTIAL

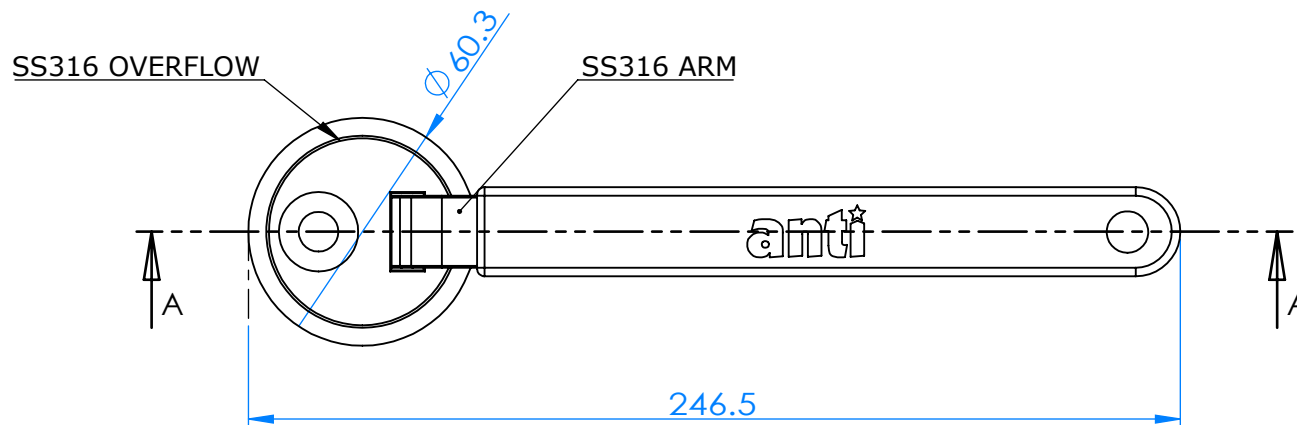
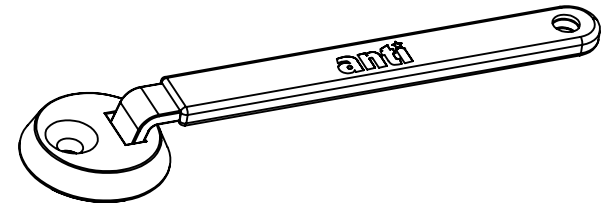
The information contained in this drawing is the sole property of ANTI WAVE, Int'l any reproduction in part or as a whole without the written permission of ANTI WAVE is prohibited.

©ANTI WAVE 2015

Project Name:				Product Name:			
Anti Wave Racing Lane				Lane Anchor			
Project No.		AWE00130		Product No.		05	
Drawn		Brian		Scale		No	
Patents		2001285610; 7100219; 4048677; 01818714.5 & 2003/2920 e.g.					
Drawn Date				2015/12/31		Verify Date	



A-A
1:2

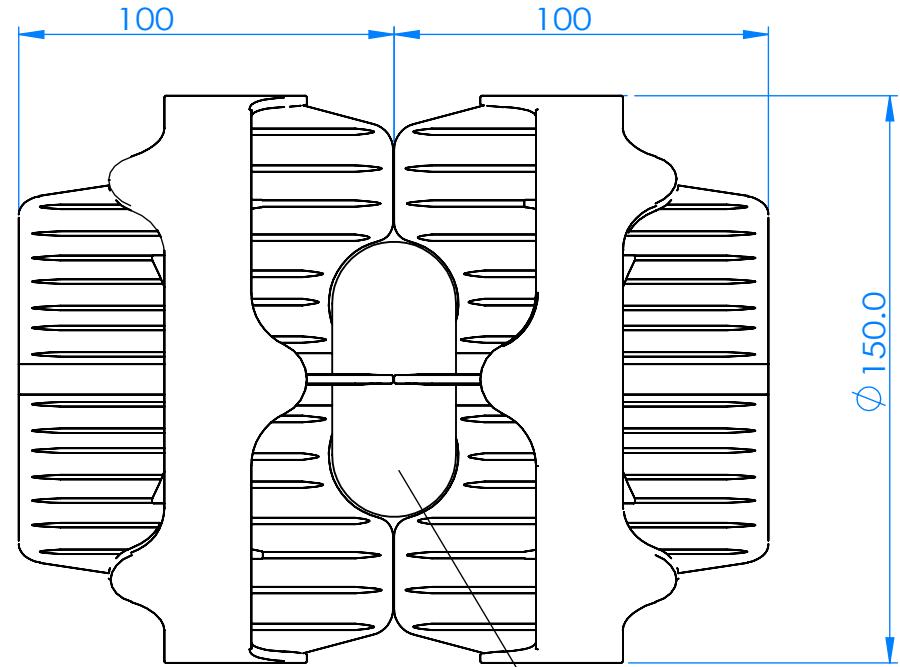
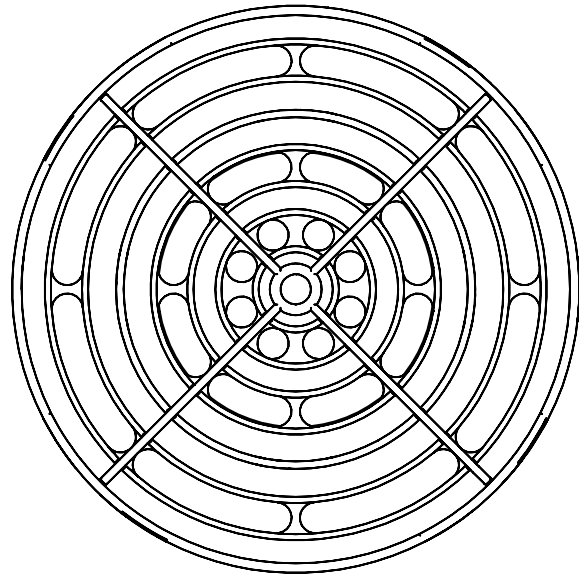


SPECIFICATIONS:

- Materials:
SS316
- Overall Dimensions:
247mmx60mmx25mm
- Actual Weight: 0.375 KG
- Volume: 0.001 m³

Anti Wave Swimming Lane

Open Drawing



Float/Donut

Note:

1. The FINA Approved Anti Wave Maxi Racing Lane is suitable for top pools including national and international competition venues.
2. The 150mm Discs and Floats are made from high density UV stabilised advanced thermoplastics.
3. The Patented Discs are uniquely designed for maximum wave absorption and to minimise water turbidity.
4. The Super Tensioner is made from high density UV stabilised advanced thermoplastics.
5. Lane Rope cable is made from stainless steel 316, the diameter of cable is 3.1mm and is tested to a force of 5 kN.
6. Lane Lines are available in standard colours of Red ends 5m, with 1m White and 1m Blue sections alternating.
7. FINA Multicolour, as well as standard colours and lengths available on request.



PROPRIETARY AND CONFIDENTIAL

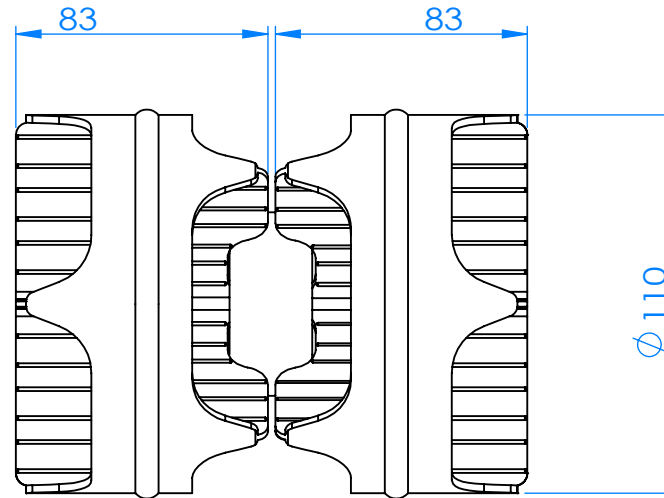
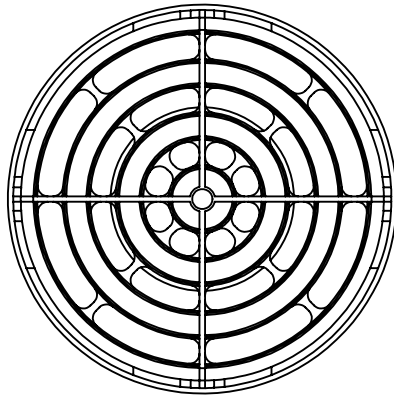
The information contained in this drawing is the sole property of ANTI WAVE. Int'l any reproduction in part or as a whole without the written permission of ANTI WAVE is prohibited.

©ANTI WAVE 2015

Project Name:				Product Name:				Project No.	AWE00130	Product No.	07
Anti Wave Racing Lane				Maxi 150mm Disc				Drawn Date	2015/12/31	Verify Date	
Drawn	Brian	Scale	No	Patents	2001285610; 7100219; 4048677; 01818714.5 & 2003/2920 e.g.						

Anti Wave Swimming Lane

Open Drawing



Note:

1. The Anti wave Midi Racing Lane is suitable for training and general lane division requirements of most pools and aquatic centres.
2. The 110mm Discs and Floats are made from high density UV stabilised advanced thermoplastics.
3. The Patented Discs are uniquely designed for maximum wave absorption and to minimise water turbidity.
4. The Super Tensioner is made from high density UV stabilised advanced thermoplastics.
5. Lane Rope cable is made from stainless steel 316, the diameter of cable is 3.1mm and is tested to a force of 5 kN.
6. Lane Lines are available in standard colours of Red ends 5m, with 1m White and 1m Blue sections alternating.
7. FINA Multicolour, as well as standard colours and lengths available on request.



PROPRIETARY AND CONFIDENTIAL

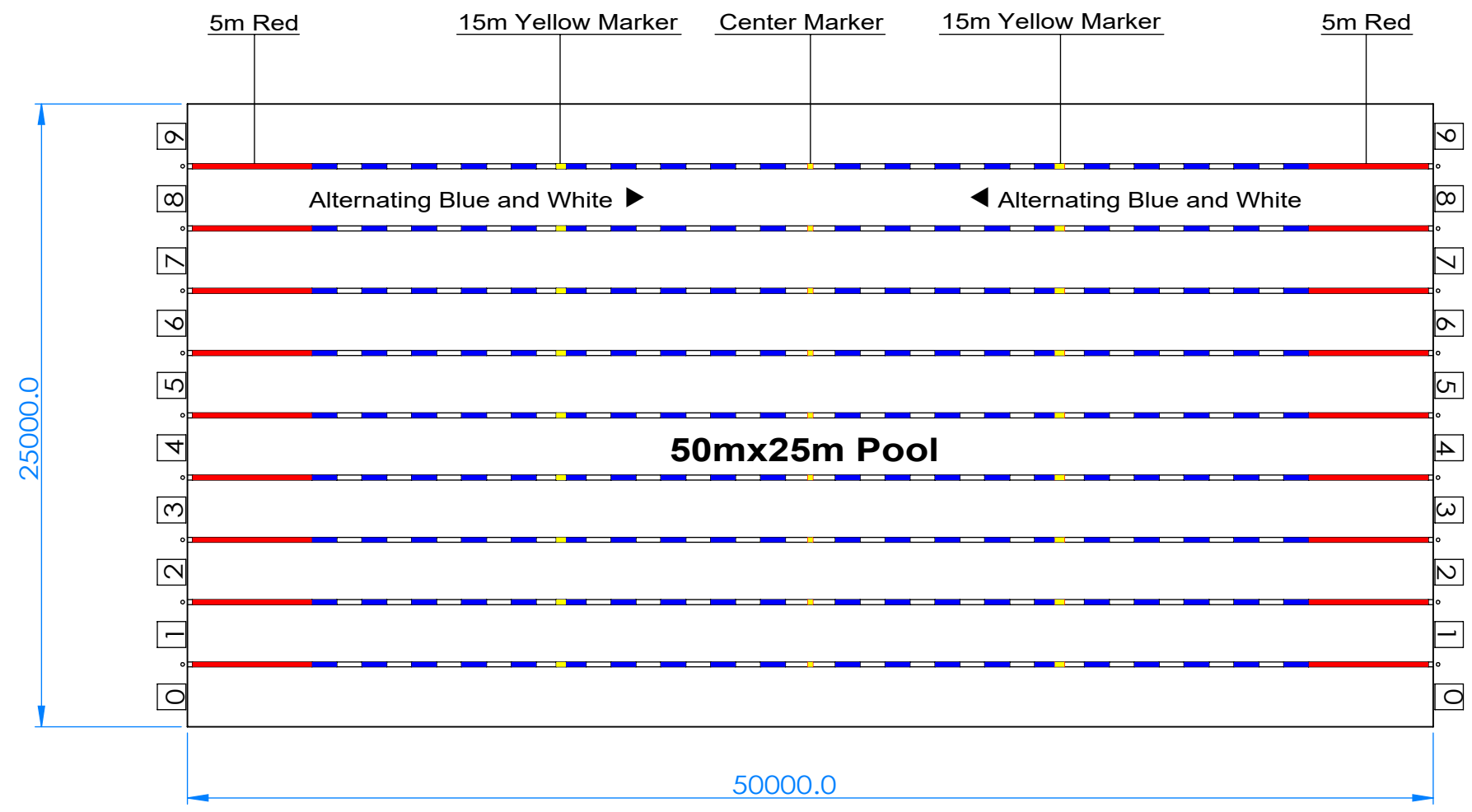
The information contained in this drawing is the sole property of ANTI WAVE, Int'l any reproduction in part or as a whole without the written permission of ANTI WAVE is prohibited.

©ANTI WAVE 2015


Project Name:				Product Name:				Project No.	AWE00130	Product No.	08
Anti Wave Racing Lane				Midi 110mm Disc				Drawn Date	2015/12/31	Verify Date	
Drawn	Brian	Scale	No	Patents	2001285610; 7100219; 4048677; 01818714.5 & 2003/2920 e.g.						

Anti Wave Swimming Lane

Open Drawing

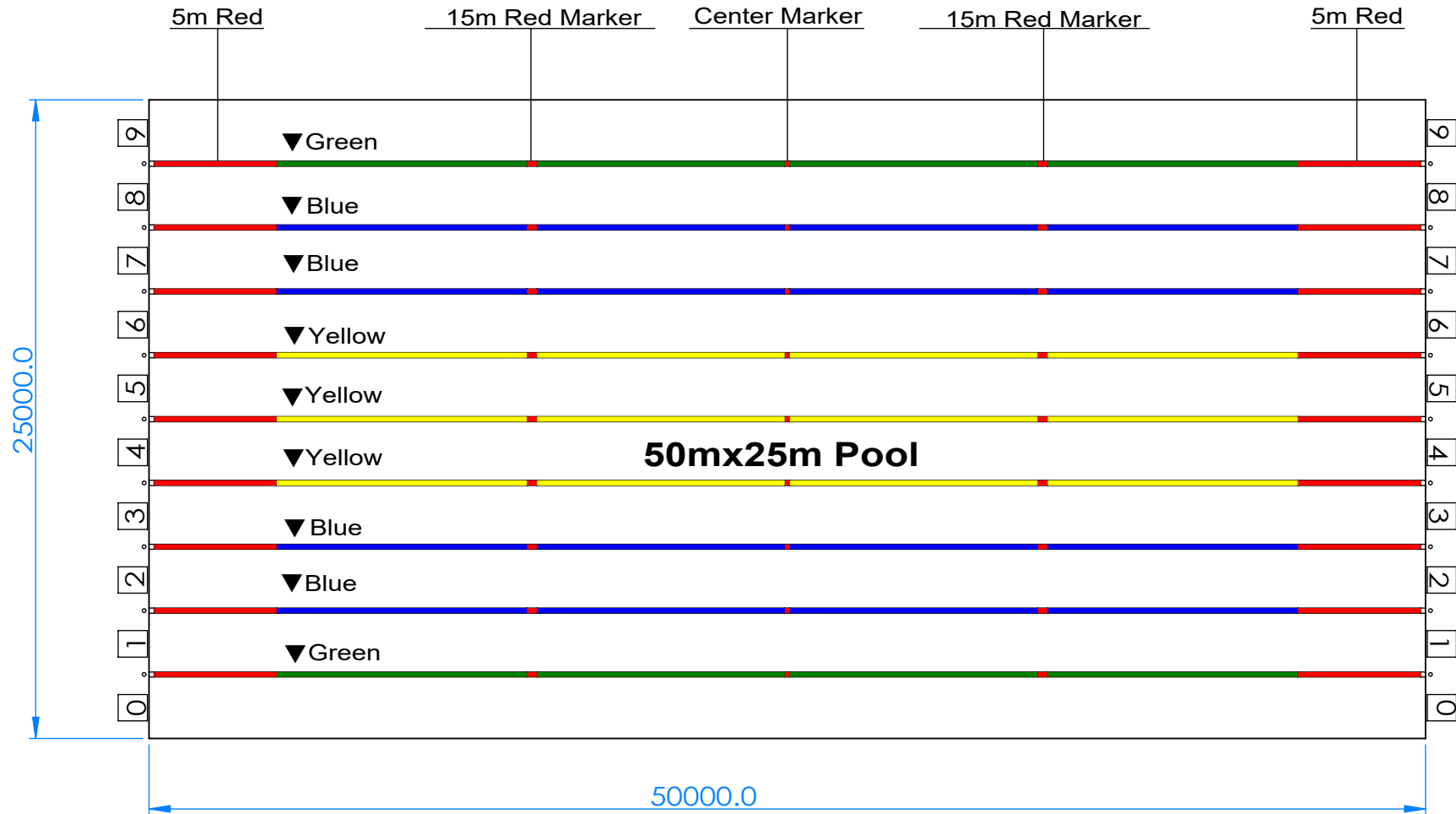


Anti Wave standard color for 50m Training Pool

 <p>antiTM PROPRIETARY AND CONFIDENTIAL The information contained in this drawing is the sole property of ANTI WAVE, Int'l any reproduction in part or as a whole without the written permission of ANTI WAVE is prohibited.</p>	Project Name:				Product Name:		Project No.	AWE00130	Product No.	09
	Anti Wave Racing Lane				Standard Color for 50m Training Pool		Drawn Date	2015/12/31	Verify Date	
	Drawn	Brian	Scale	No	Patents	2001285610; 7100219; 4048677; 01818714.5 & 2003/2920 e.g.				

Anti Wave Swimming Lane

Open Drawing



Anti Wave standard color for 50m Fina Pool



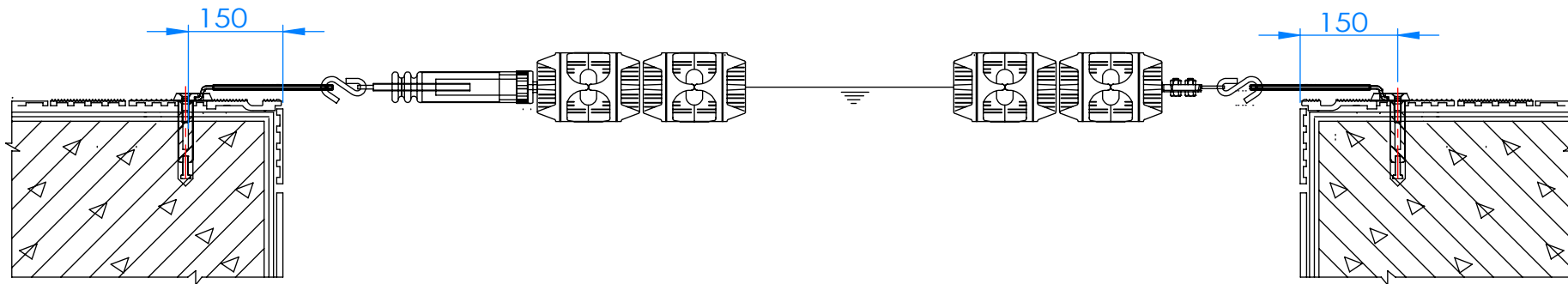
PROPRIETARY AND CONFIDENTIAL

The information contained in this drawing is the sole property of ANTI WAVE, Int'l any reproduction in part or as a whole without the written permission of ANTI WAVE is prohibited.

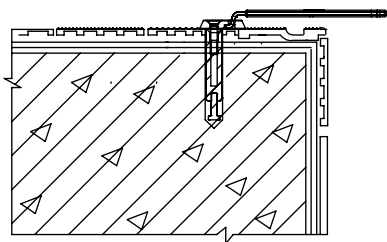
Project Name:				Product Name:		Project No.	AWE00130	Product No.	10
Anti Wave Racing Lane				Standard Color for 50m Fina Pool		Drawn Date	2015/12/31	Verify Date	
Drawn	Brian	Scale	No	Patents	2001285610; 7100219; 4048677; 01818714.5 & 2003/2920 e.g.				

Anti Wave Swimming Lane

General Sketch

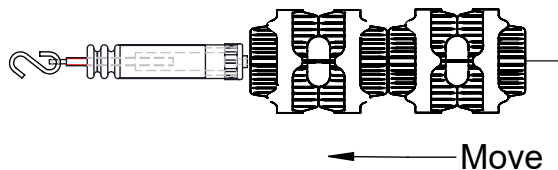


Step 1



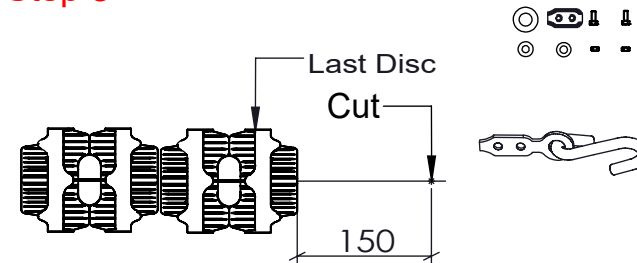
Install Chemset Anchors correctly in the Pool Wall and wait one week before stressing them, hitch the Overflow Lane Anchor to the Chemset Anchor when you want to install the Lanes.

Step 2



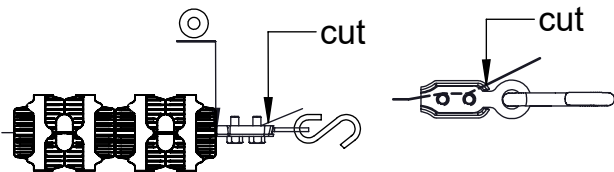
Open the Lane package, take the Super Tensioner's side and move all Discs and Floats to this side tightly.

Step 3



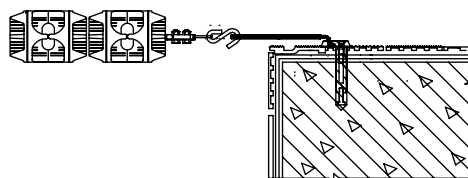
Cut the Stainless Steel Cable as above drawing, then uninstall the Long Clamp.

Step 4



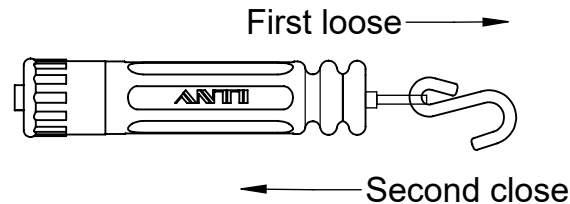
Fix the S Hook to the Stainless Steel Cable as above drawing, then use the Washers and Nuts to screw them, then cut the extra Cable. Note: do not forget the Washer attached the last Discs.

Step 5



Hitch the S Hooks to the Overflow Lane Anchor, then take the Lane to the another side of the pool.

Step 6



Loose the long bolt of Super Tensioner, hitch the S Hooks to the another said of the pool, then close the long bolt, so finished all the Lane's assembly.



PROPRIETARY AND CONFIDENTIAL
The information contained in this drawing is the sole property of ANTI WAVE,Int'l any reproduction in part or as a whole without the written permission of ANTI WAVE is prohibited.

Project Name:
Anti Wave Racing Lane

Product Name:
Lane Assembly Instruction

Project No. AWE00130

Product No. 11

Drawn Date 2015/12/31

Verify Date