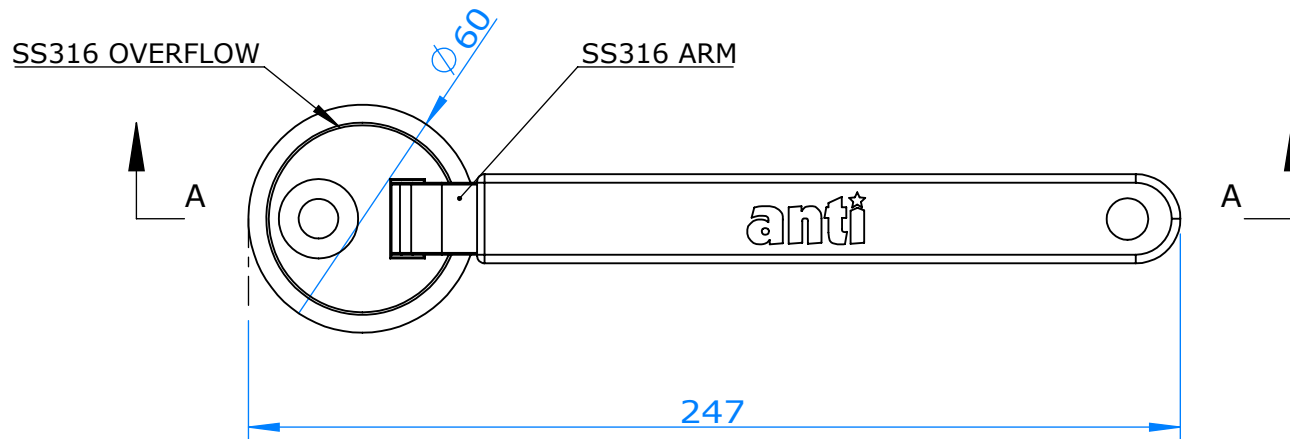
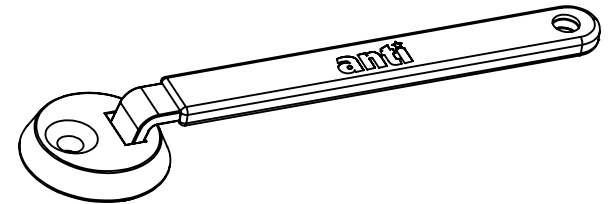


A-A
1 : 2



SPECIFICATIONS:

- Materials: SS316
- Overall Dimensions: 247mmx60mmx25mm
- Actual Weight: 0.375 KG
- Volume: 0.001 m³

Project Name: Overflow Lane Anchor				Product Name: Overflow Lane Anchor				Project No. AWE121		Product No.			
Drawn Brian				Scale 1:2				Patents 2001285610; 7100219; 4048677; 01818714.5 & 2003/2920 e.g.		Drawn Date 2015/10/23		Verify Date	