

TurnBoard 1.2mx0.3m

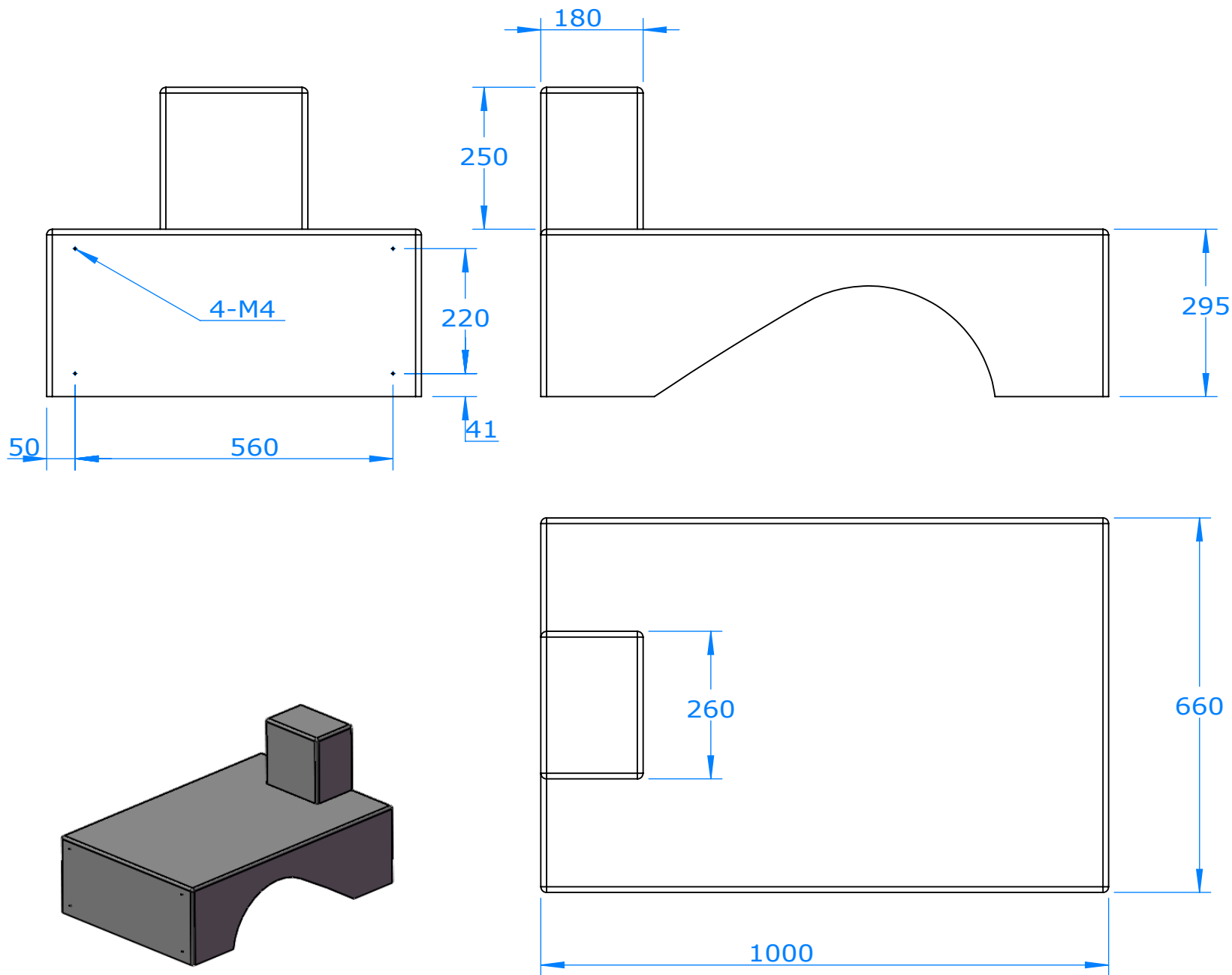
Anti Block 600

Overflow Bstand



PROPRIETARY AND CONFIDENTIAL
 The information contained in this drawing is the sole property of ANTI WAVE, any reproduction in part or as a whole without the written permission of ANTI WAVE is prohibited.

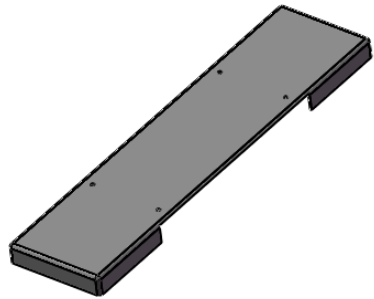
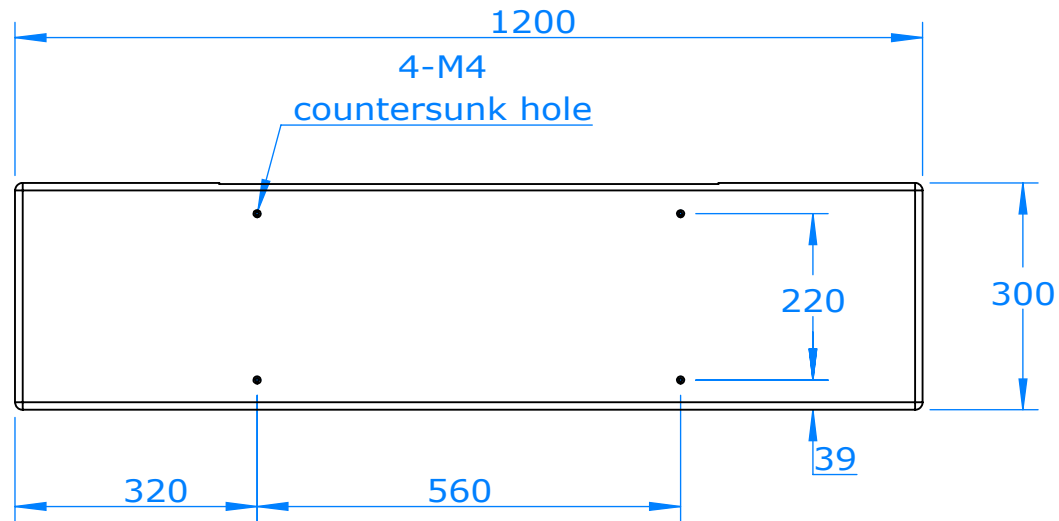
Project Name: Blockstand			Product Name: Overflow Bstand with TurnBoard and Anti Block			Project No. AWE020	Product No.
Drawn	Brian	Scale	1:10	Patents	2001285610; 7100219; 4048677; 01818714.5 & 2003/2920 e.g.	Drawn Date 2015/10/29	Verify Date



SPECIFICATIONS:

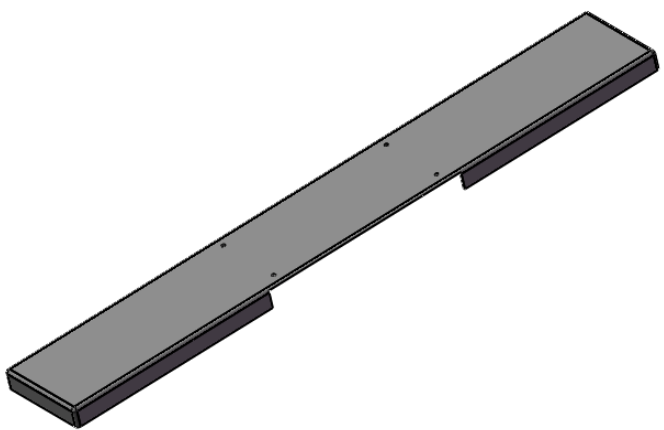
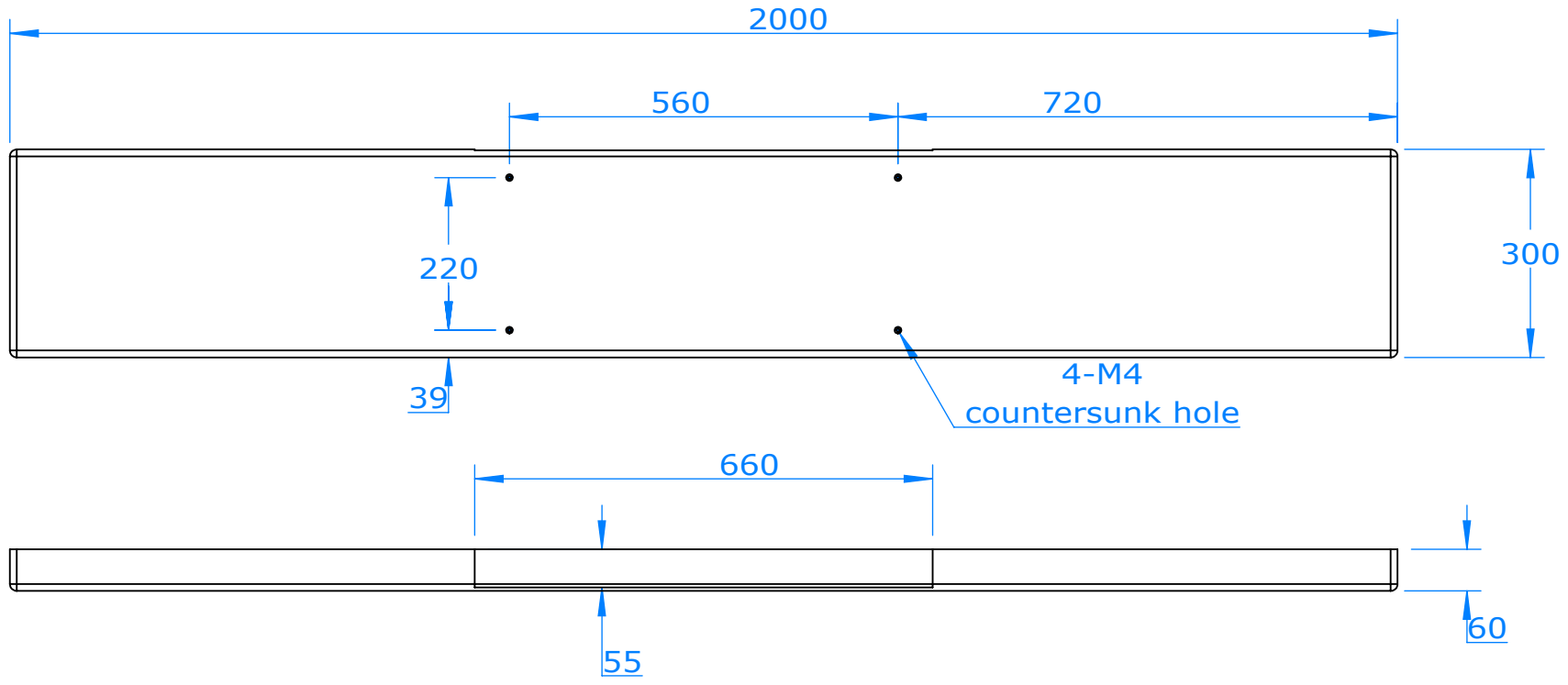
- Materials: Fibreglass
- Overall Dimensions: 1000mmx660mmx545mm
- Cartons Dimensions: 1060mmx720mmx605mm
- Shipping Weight: 54 KG
- Shipping CBM total: 0.65 m³

Project Name: Blockstand				Product Name: OVERFLOW B STAND				Project No.	AWE020	Product No.	
Drawn	Brian	Scale	1:10	Patents	2001285610; 7100219; 4048677; 01818714.5 & 2003/2920 e.g.						
								Drawn Date	2015/10/29	Verify Date	



SPECIFICATIONS:

- Materials:
Fibreglass
- Overall Dimensions:
1200mmx300mmx60mm
- Cartons Dimensions:
1260mmx360mmx90mm
- Shipping Weight: 10 KG
- Shipping CBM total: 0.1 m³



SPECIFICATIONS:

- Materials: Fibreglass
- Overall Dimensions: 2000mmx300mmx60mm
- Cartons Dimensions: 2060mmx360mmx90mm
- Shipping Weight: 13 KG
- Shipping CBM total: 0.15 m³