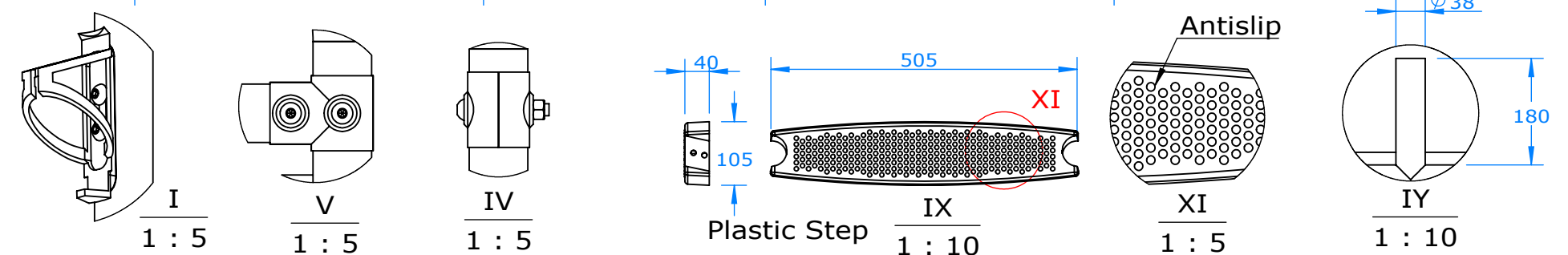


- SPECIFICATIONS:**
- Materials: Marine Alu tubes ϕ 48.3x3mm, Powder Coated White
 - Overall Dimensions: 2200mmx1200mmx1200mm
 - Shipping Weight: 51KG
 - Shipping CBM total: 1.24m³



| | | | | | | | | |
|---|-------------------------------|-------|------------|-------------------------------|---|--|--------------------|----------------------|
| anti TM PROPRIETARY AND CONFIDENTIAL The information contained in this drawing is the sole property of ANTI WAVE Int'l, any reproduction in part or as a whole without the written permission of ANTI WAVE is prohibited. | Project Name: Lifeguard Chair | | | Product Name: Lifeguard Chair | | | Project No. AWE012 | Product No. |
| | Drawn | Brian | Scale 1:20 | Patents | 2001285610; 7100219; 4048677; 01818714.5 & 2003/2920 e.g. | | | Drawn Date 2015/3/27 |