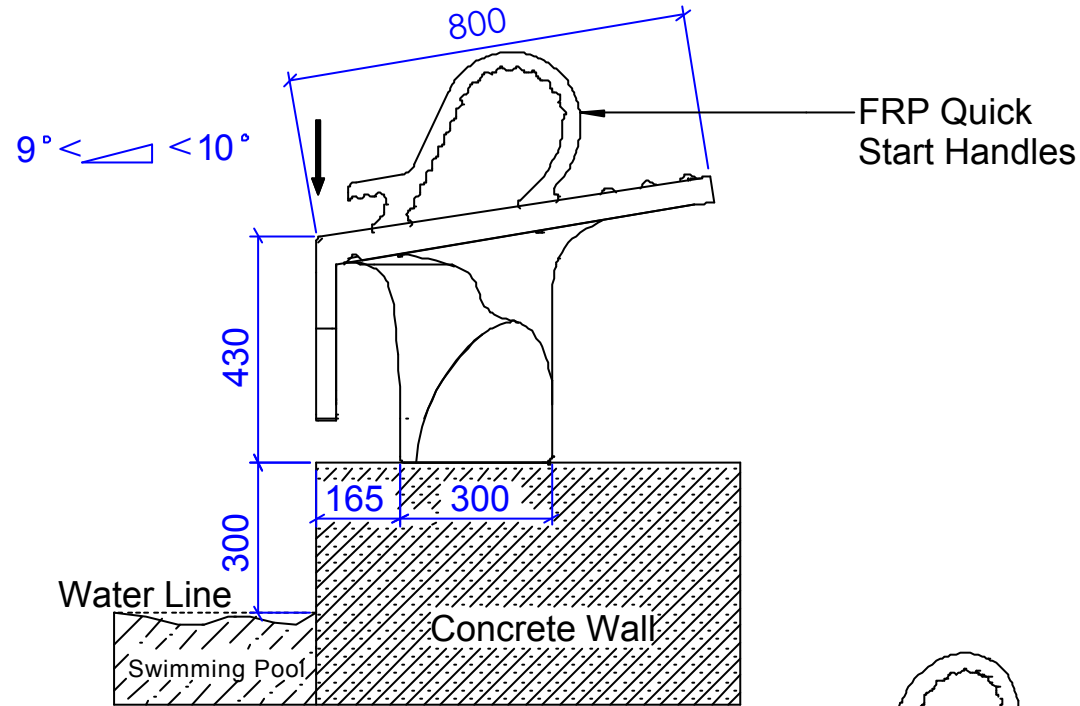
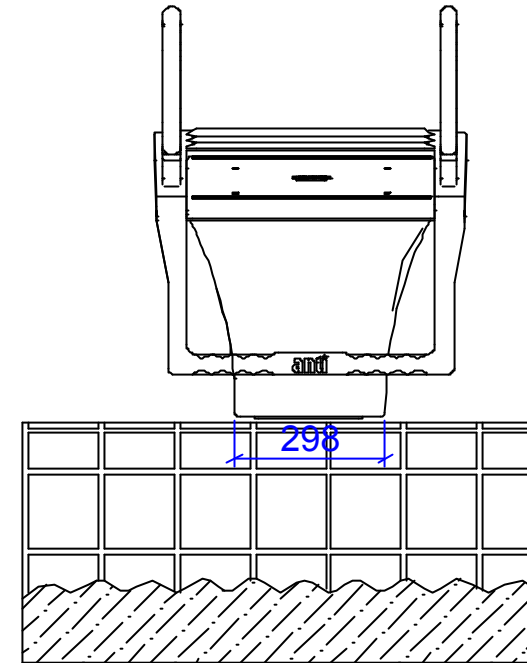


Super Starting Block

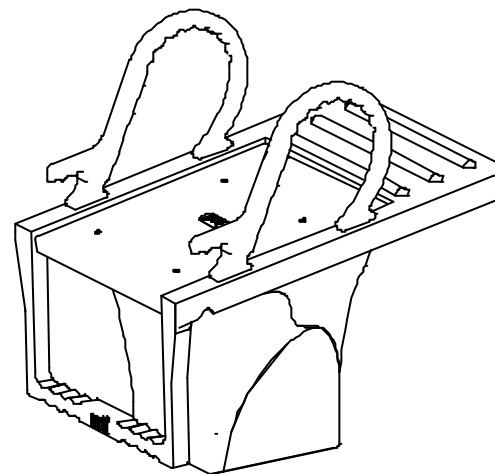
Open Drawing



Side Elevation



Pool Elevation



Oblique View

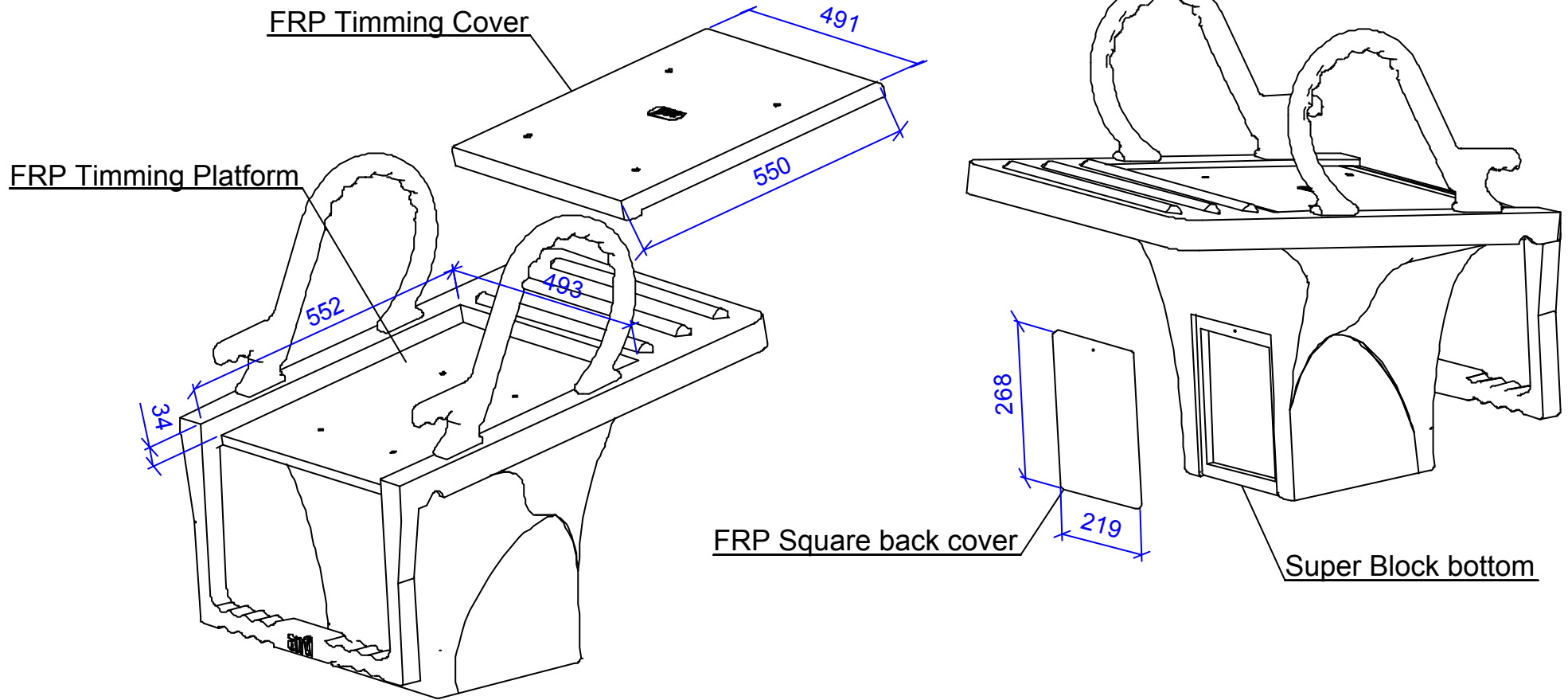


PROPRIETARY AND CONFIDENTIAL
The information contained in this drawing is the sole property of ANTI WAVE, any reproduction in part or as a whole without the written permission of ANTI WAVE is prohibited.

| | | | | | | | | | | | |
|----------------------|--------|-------|----|----------------------|--|--|--|-------------|------------|-------------|----|
| Project Name: | | | | Product Name: | | | | Project No. | AWE00063 | Product No. | 01 |
| Super Starting Block | | | | Super Starting Block | | | | Drawn Date | 2007-04-26 | Verify Date | |
| Drawn | Philip | Scale | No | Patents | 2001285610;7100219;4048677;01818714.5 & 2003/2920 e.g. | | | | | | |

Super Starting Block

Open Drawing



Note:

1. Pls put the Timming system on the FRP Timming platform, use Bolts and Nuts to fix the Timming system on the Platform, then put the Timming cover on the Platform to cover the Timming system, use bolt to fix the FRP Timming Cover to the Timming system.
2. The FRP Square back cover use to be supply the convenient area to fix the electrical wire and fix the bottom of the Super starting block to the concrete.

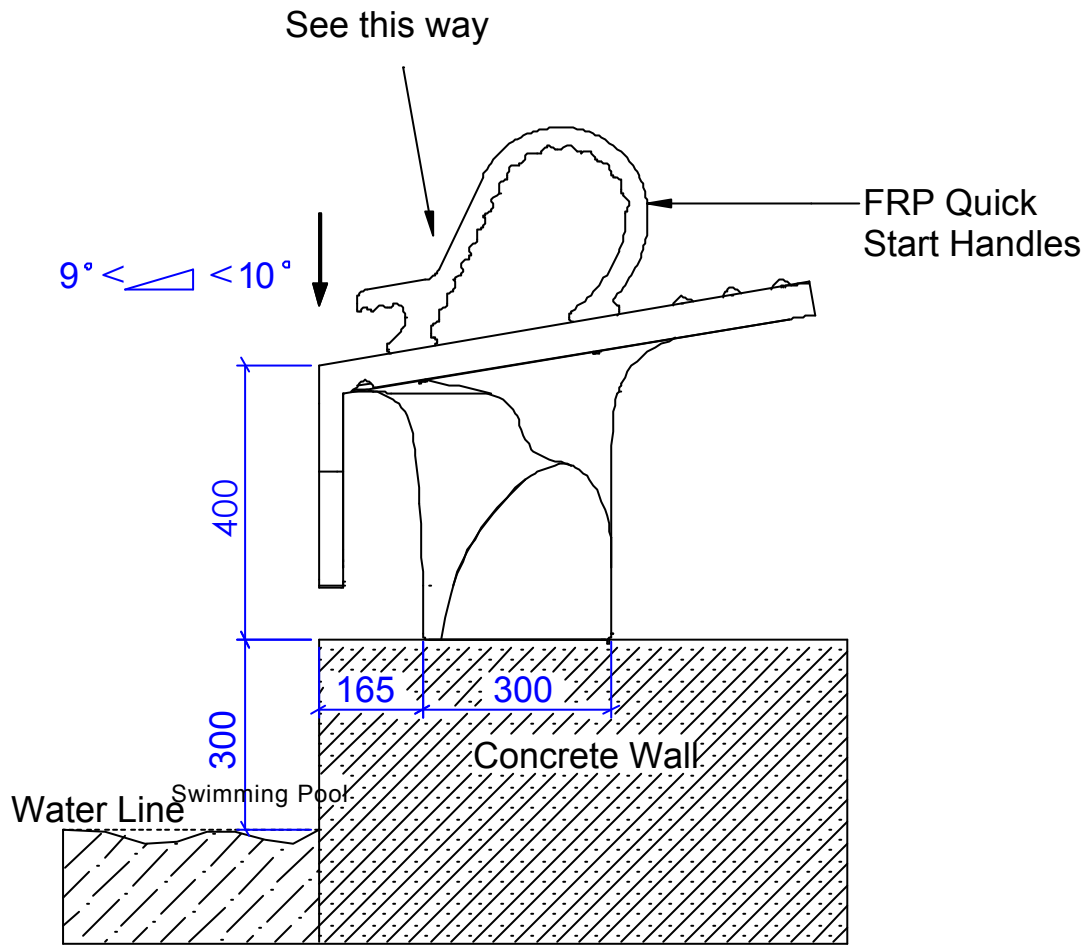


PROPRIETARY AND CONFIDENTIAL
The information contained in this drawing is the sole property of ANTI WAVE, any reproduction in part or as a whole without the written permission of ANTI WAVE is prohibited.

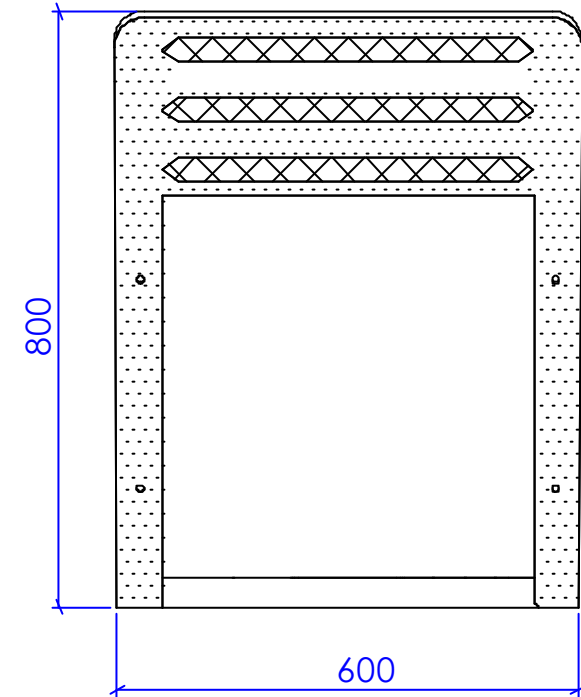
| | | | | | | | |
|----------------------|--------|----------------------|----|-------------|--|-------------|----|
| Project Name: | | Product Name: | | Project No. | AWE00063 | Product No. | 02 |
| Super Starting Block | | Super Starting Block | | Drawn Date | 2007-04-26 | Verify Date | |
| Drawn | Philip | Scale | No | Patents | 2001285610;7100219;4048677;01818714.5 & 2003/2920 e.g. | | |

Super Starting Block

Open Drawing



Side Elevation



The Top of Super Block

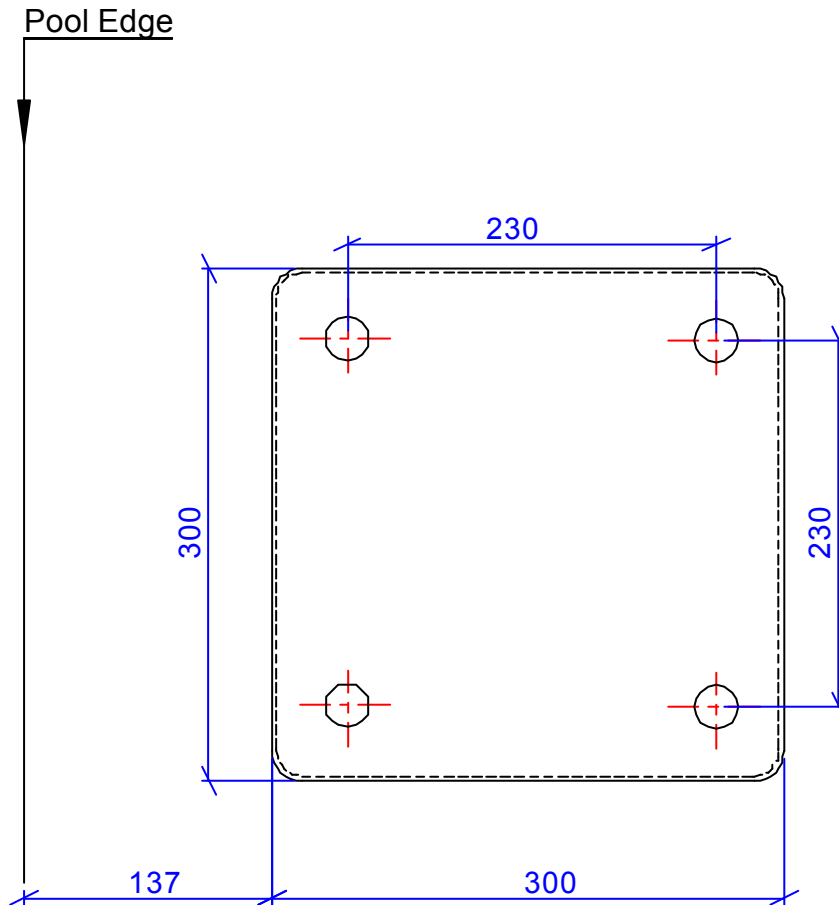


PROPRIETARY AND CONFIDENTIAL
The information contained in this drawing is the sole property of ANTI WAVE, any reproduction in part or as a whole without the written permission of ANTI WAVE is prohibited.

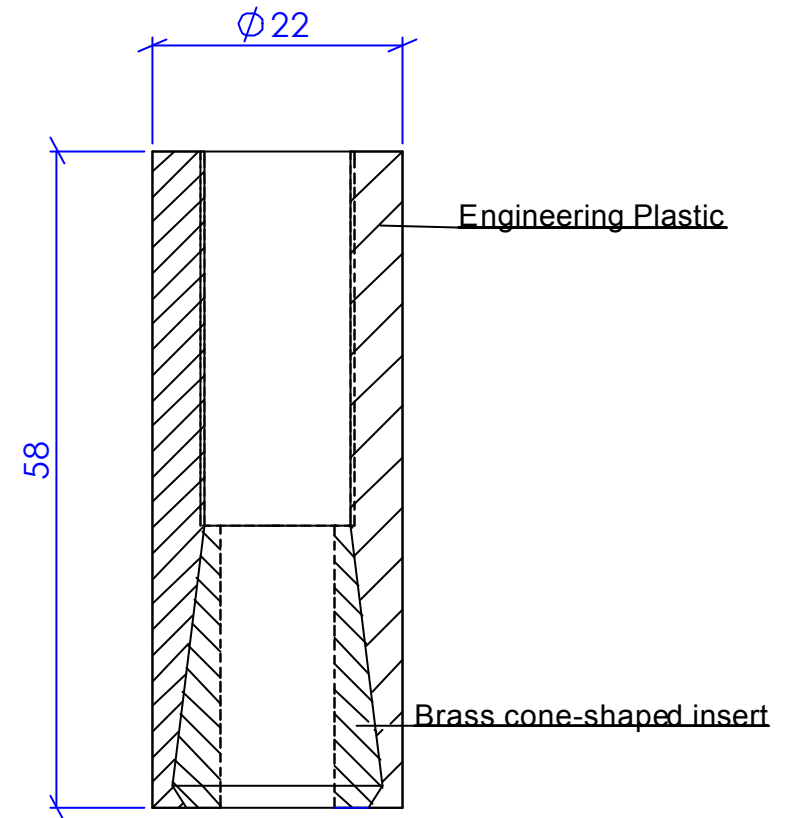
| | | | | | | | | | | | |
|----------------------|--------|-------|----|----------------------|--|--|--|-------------|------------|-------------|----|
| Project Name: | | | | Product Name: | | | | Project No. | AWE00063 | Product No. | 03 |
| Super Starting Block | | | | Super Starting Block | | | | Drawn Date | 2007-04-26 | Verify Date | |
| Drawn | Philip | Scale | No | Patents | 2001285610;7100219;4048677;01818714.5 & 2003/2920 e.g. | | | | | | |

Super Starting Block

Open Drawing



Super Block bottom



Plastic Dyna set

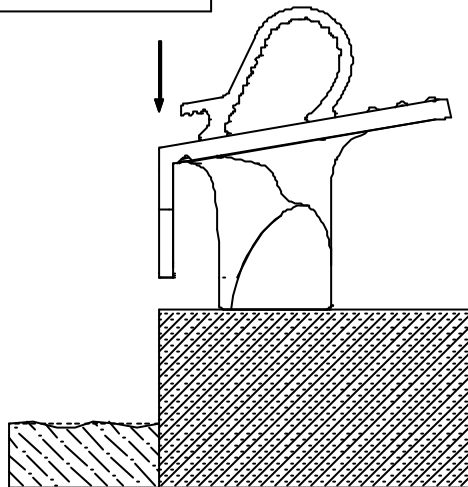


PROPRIETARY AND CONFIDENTIAL
 The information contained in this drawing is the sole property of ANTI WAVE, any reproduction in part or as a whole without the written permission of ANTI WAVE is prohibited.

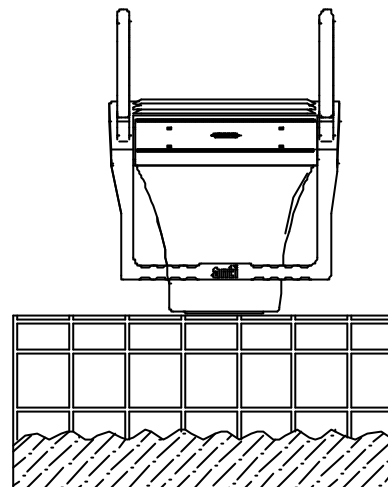
| | | | | | | | | | | | |
|----------------------|--------|-------|----|----------------------|--|--|--|-------------|------------|-------------|----|
| Project Name: | | | | Product Name: | | | | Project No. | AWE00063 | Product No. | 04 |
| Super Starting Block | | | | Super Starting Block | | | | Drawn Date | 2007-04-26 | Verify Date | |
| Drawn | Philip | Scale | No | Patents | 2001285610;7100219;4048677;01818714.5 & 2003/2920 e.g. | | | | | | |

Super Block-1 Assembly Instructions

General Sketch



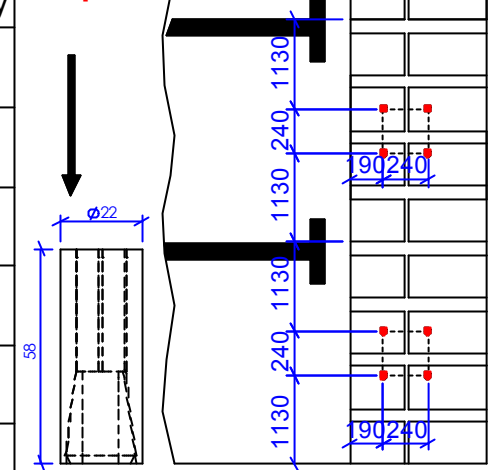
Side Elevation



Pool Elevation

| No. | Name | Qty |
|-----|--|-----|
| ① | Super Block | 1 |
| ② | Super Block Cover | 1 |
| ③ | FRP Quick Start Handles | 2 |
| ④ | Back Hole Cover | 1 |
| ⑤ | Square Tube | 2 |
| ⑥ | Plastic Dyna Set, M10X70 Hex Bolt & Washer | 4 |
| ⑦ | M8X80 Countersunk Bolt, Lock Nut & Washer | 4 |
| ⑧ | M10 Washer & Lock Nut | 4 |

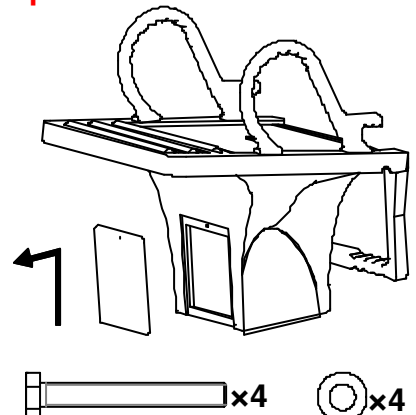
Step 1



Top View

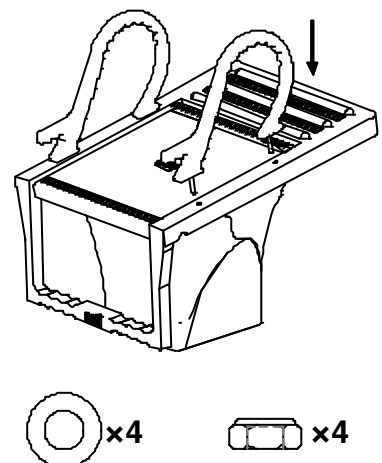
Use a 22.4mm drill bit to drill 4 holes in the concrete. (depth 58mm), then place the Dynaset in the hole and make sure that the expander plug is driven down to spread the anchor.

Step 2



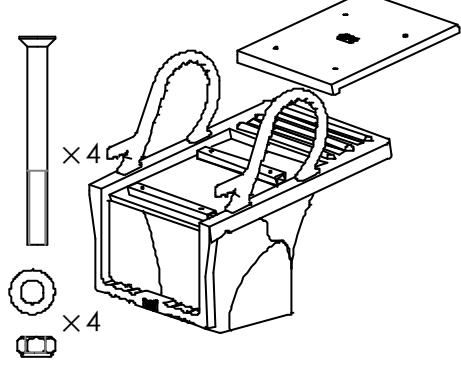
Remove the Plastic Cover at the back of Super Block, align its 4 predrilled holes at the bottom with the 4 holes in the concrete, use the M10X70 Hex Bolts and Washers to fasten the Super Block to the concrete.

Step 3



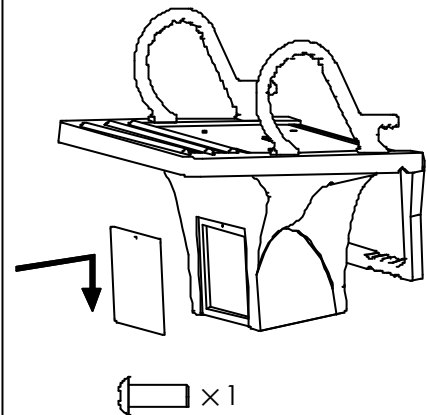
Use M10 Lock Nuts and Washers to fix the FRP Quick Start Handles.

Step 4



Without Timing System:
We have fixed the Cover to the body, you do not need to do anything.
With Timing System:
There are two type of Timing System, please refer to manufacture's installation procedure.

Step 5



Close the Back Cover, screw the bolt, then follow Step 1 to Step 5 to install each of other Super Blocks.



PROPRIETARY AND CONFIDENTIAL
The information contained in this drawing is the sole property of ANTI WAVE, any reproduction in part or as a whole without the written permission of ANTI WAVE is prohibited.

| | | | | | | | |
|----------------------|--------|----------------------|----|-------------|---|-------------|----|
| Project Name: | | Product Name: | | Project No. | AWE00063 | Product No. | 05 |
| Super Starting Block | | Super Starting Block | | Drawn Date | 2007-04-26 | Verify Date | |
| Drawn | Philip | Scale | No | Patents | 2001285610; 7100219; 4048677; 01818714.5 & 2003/2920 e.g. | | |