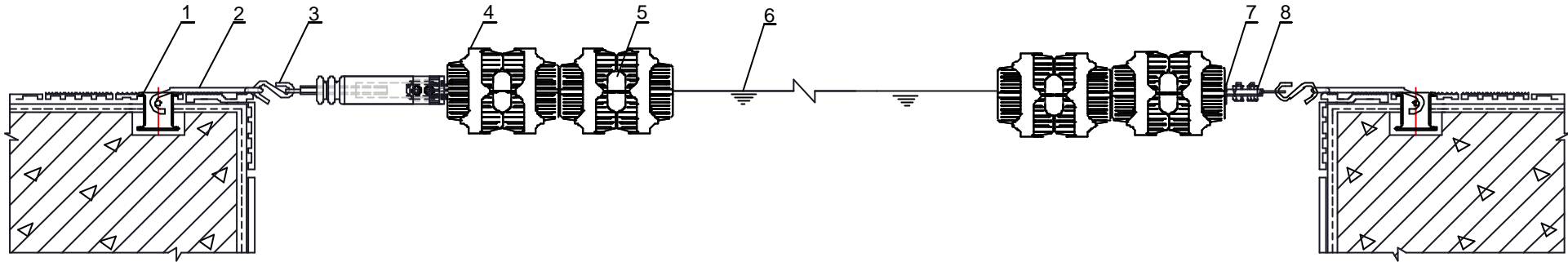


Anti Wave Swimming Lane

Open Drawing



Item No.	Parts Name	Quantity
1	Lane Anchor	2
2	Long Hook	2
3	Super Tensioner	1
4	Disc(Midi 110mm or Maxi 150mm)	As many as the length of the Pool
5	Float/Donut	As many as the length of the Pool
6	3.1mm SS316 Cable	3m longer than the length of the Lane
7	Small Washer	2
8	Long Clamp	1



PROPRIETARY AND CONFIDENTIAL
 The information contained in this drawing is the sole property of ANTI WAVE, any reproduction in part or as a whole without the written permission of ANTI WAVE is prohibited.

©ANTI WAVE 2007

Project Name:
Swimming Lane

Product Name:
Swimming Lane

Project No. AWE00130

Product No. 01

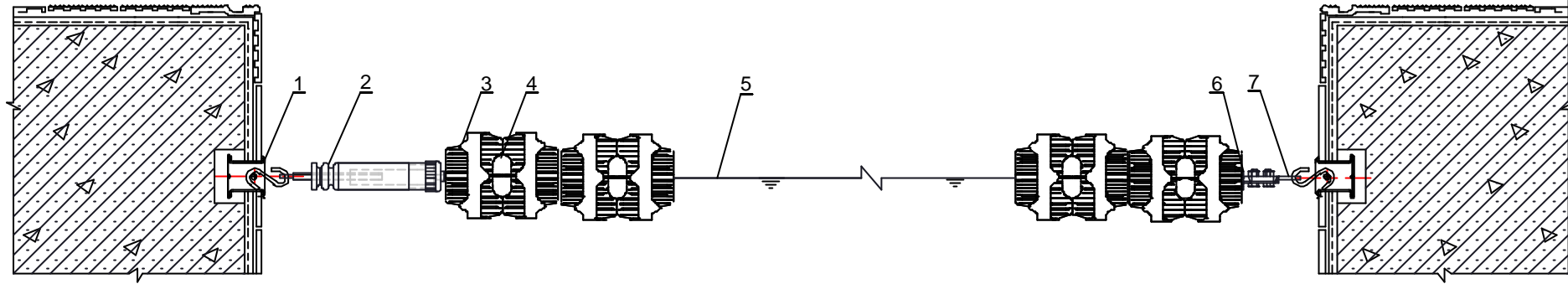
Drawn Date 2007-04-26

Verify Date

Drawn Philip Scale No Patents 2001285610;7100219;4048677;01818714.5 & 2003/2920 e.g.

Anti Wave Swimming Lane

Open Drawing



Item No.	Parts Name	Quantity
1	Lane Anchor	2
2	Super Tensioner	1
3	Disc(Midi 110mm or Maxi 150mm)	As many as the length of the Pool
4	Float/Donut	As many as the length of the Pool
5	3.1mm SS316 Cable	3m longer than the Lane you order
6	Small Washer	2
7	Long Clamp	1

antiTM

PROPRIETARY AND CONFIDENTIAL

The information contained in this drawing is the sole property of ANTI WAVE, any reproduction in part or as a whole without the written permission of ANTI WAVE is prohibited.

Project Name:
Swimming Lane

Product Name:
Swimming Lane

Project No. AWE00130

Product No. 02

Drawn Date 2007-04-26

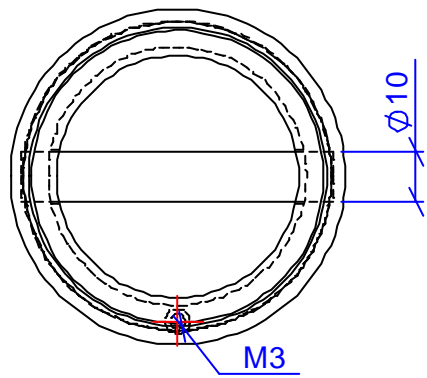
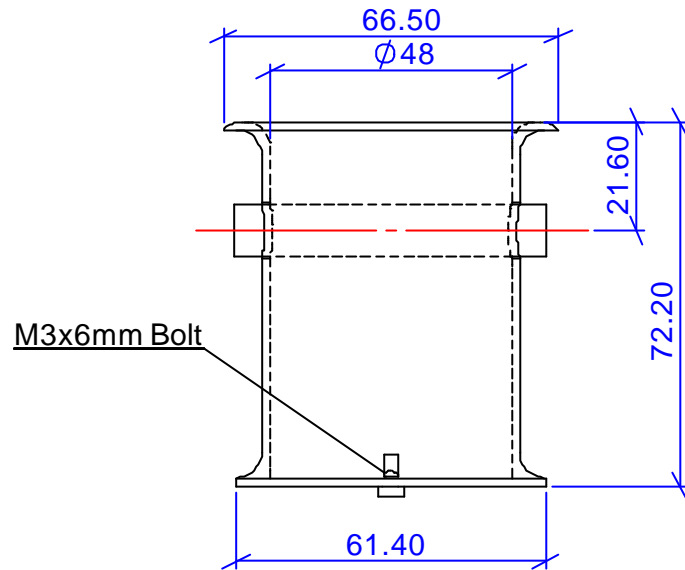
Verify Date

©ANTI WAVE 2007

Drawn Philip Scale No Patents 2001285610;7100219;4048677;01818714.5 & 2003/2920 e.g.


Anti Wave Swimming Lane

Open Drawing



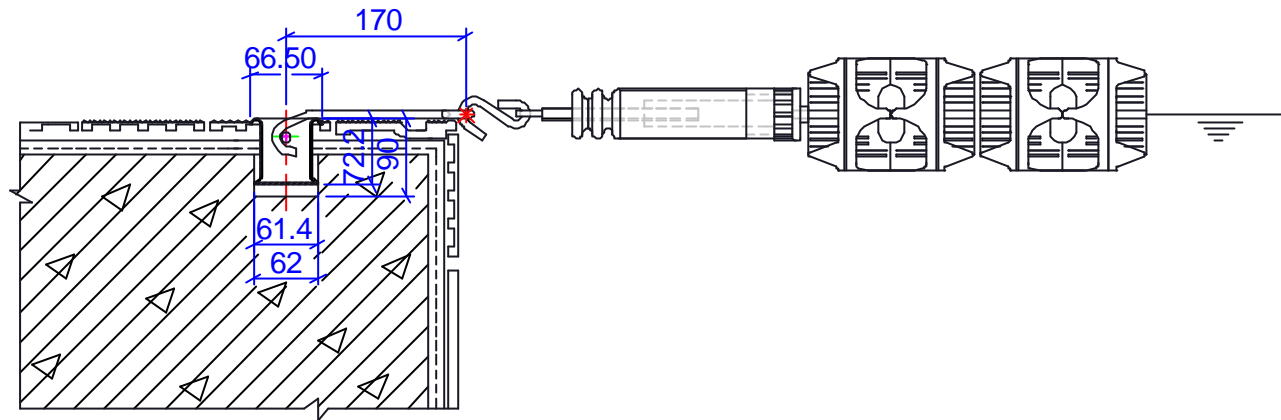
Note:

1. The material of the Anchor is Stainless steel 316.

 PROPRIETARY AND CONFIDENTIAL The information contained in this drawing is the sole property of ANTI WAVE, any reproduction in part or as a whole without the written permission of ANTI WAVE is prohibited.	Project Name:		Product Name:		Project No.	AWE00130	Product No.	03
	Swimming Lane		Lane Anchor		Drawn Date	2007-04-26	Verify Date	
©ANTI WAVE 2007	Drawn	Philip	Scale	No	Patents	2001285610;7100219;4048677;01818714.5 & 2003/2920 e.g.		

Anti Wave Swimming Lane

Open Drawing



Note:

1. Core drill a hole which is 62mm wide and 90mm deep.
2. Chisel out the back of the hole to a wedge-shaped profile as shown, using a small jack hammer drill.
3. Tape up around the edge of the hole with duct tape to minimise mess.
4. Make a firm stiff mix of 2-part vertical application epoxy (enough for two holes at a time). You may wish to add a little fine sand to the mix.
5. Coat the inside of the hole and the back of the anchor; use more than you need.
6. Push the anchor in and turn to seat correctly. Reuse the excess mixture which oozes from the hole to start the next anchor.
7. Clean up and allow one week before stressing the anchor.



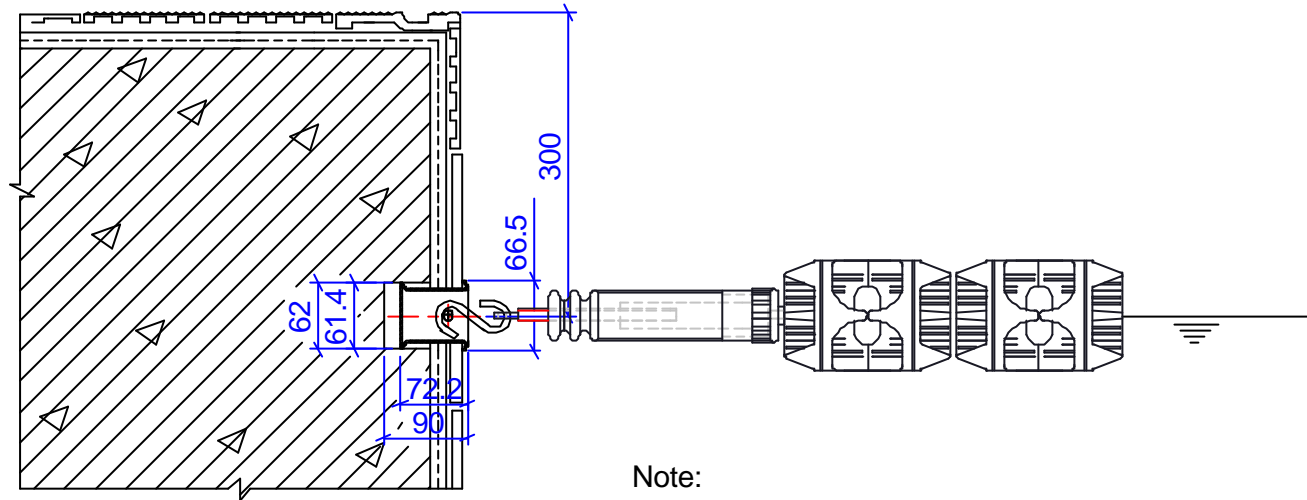
PROPRIETARY AND CONFIDENTIAL
 The information contained in this drawing is the sole property of ANTI WAVE, any reproduction in part or as a whole without the written permission of ANTI WAVE is prohibited.

©ANTI WAVE 2007

Project Name:				Product Name:			
Swimming Lane				Lane Anchor Installation			
Project No.		AWE00130		Product No.		04	
Drawn Date		2007-04-26		Verify Date			
Drawn	Philip	Scale	No	Patents	2001285610; 7100219; 4048677; 01818714.5 & 2003/2920 e.g.		

Anti Wave Swimming Lane

Open Drawing



Note:

1. Core drill a hole which is 62mm wide and 90mm deep.
2. Chisel out the back of the hole to a wedge-shaped profile as shown, using a small jack hammer drill.
3. Tape up around the edge of the hole with duct tape to minimise mess.
4. Make a firm stiff mix of 2-part vertical application epoxy (enough for two holes at a time). You may wish to add a little fine sand to the mix.
5. Coat the inside of the hole and the back of the anchor; use more than you need.
6. Push the anchor in and turn to seat correctly. Reuse the excess mixture which oozes from the hole to start the next anchor.
7. Clean up and allow one week before stressing the anchor.

antiTM

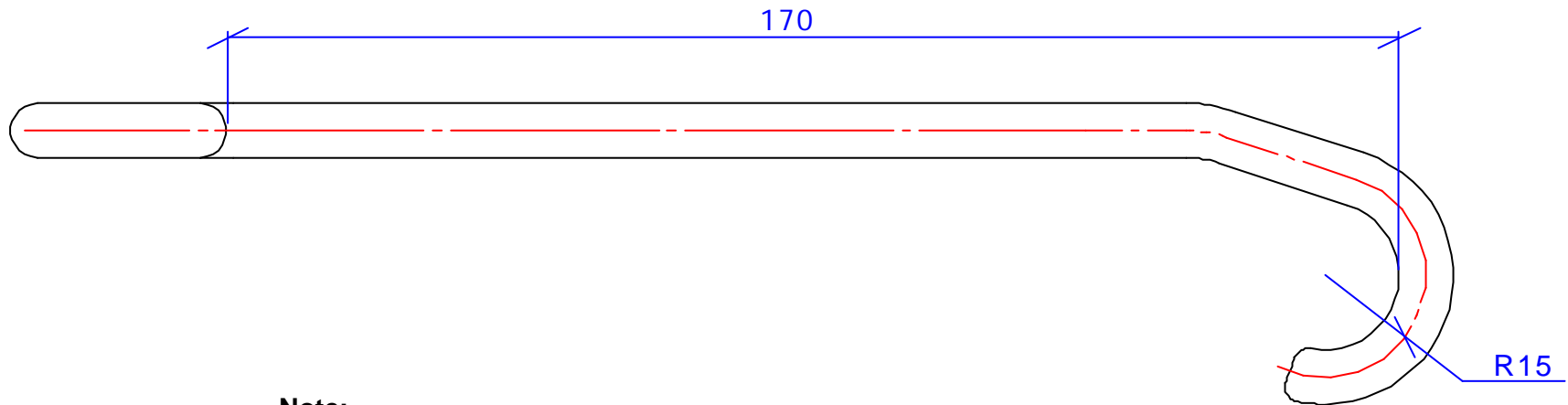
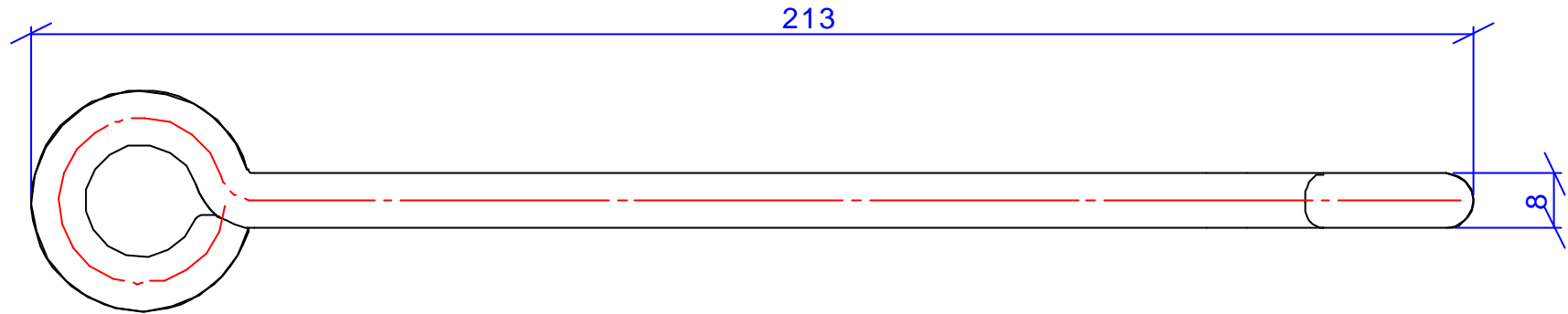
PROPRIETARY AND CONFIDENTIAL
The information contained in this drawing is the sole property of ANTI WAVE, any reproduction in part or as a whole without the written permission of ANTI WAVE is prohibited.

©ANTI WAVE 2007

Project Name:				Product Name:			
Swimming Lane				Lane Anchor Installation			
Project No.		AWE00130		Product No.		05	
Drawn Date		2007-04-26		Verify Date			
Drawn	Philip	Scale	No	Patents	2001285610; 7100219; 4048677; 01818714.5 & 2003/2920 e.g.		

Anti Wave Swimming Lane

Open Drawing



Note:

1. The material of the Long Hook is Stainless steel 316.

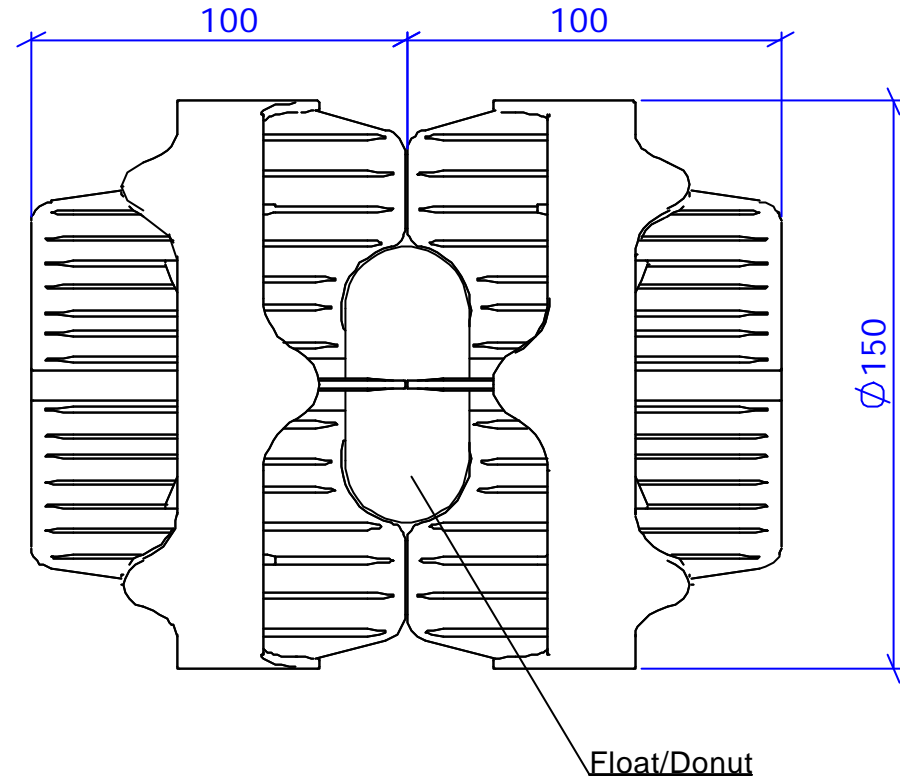
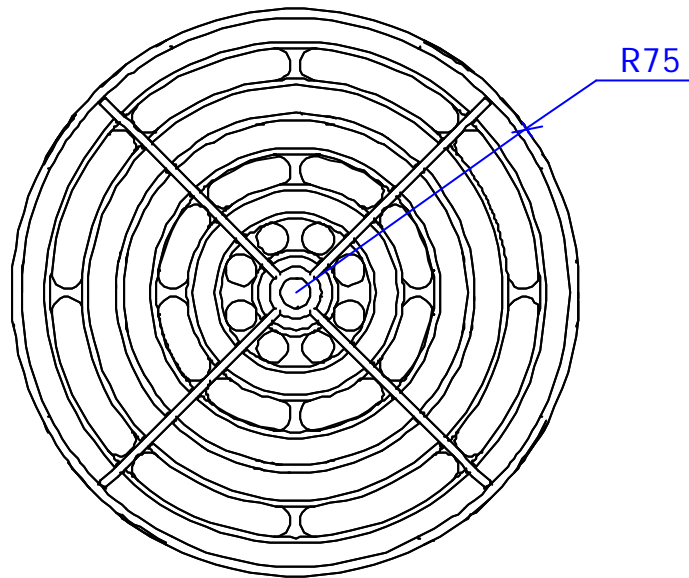


PROPRIETARY AND CONFIDENTIAL
 The information contained in this drawing is the sole property of ANTI WAVE, any reproduction in part or as a whole without the written permission of ANTI WAVE is prohibited.

Project Name:				Product Name:			
Swimming Lane				Long Hook			
Project No.		AWE00130		Product No.		06	
Drawn Date		2007-04-26		Verify Date			
Drawn	Philip	Scale	No	Patents	2001285610; 7100219; 4048677; 01818714.5 & 2003/2920 e.g.		

Anti Wave Swimming Lane

Open Drawing



Note:

1. The Anti wave Maxi Polo Field Lane is the Lane for national and international competition.
2. The 150mm Discs and Floats of the Field Lane are made from high density polyethylene. The Discs are designed to have an excellent wave absorption
3. The Super tensioner is made from high intensity and high density polyethylene, It can frap the whole 25m or 50m Lane without other tools.
4. The safe durable cable which used to connect the Discs is made from stainless steel 316, the diameter of cable is 3.1mm and will stand a force of 5 kN.
5. The colors of the Discs and Float/Donuts are standard for international competition.

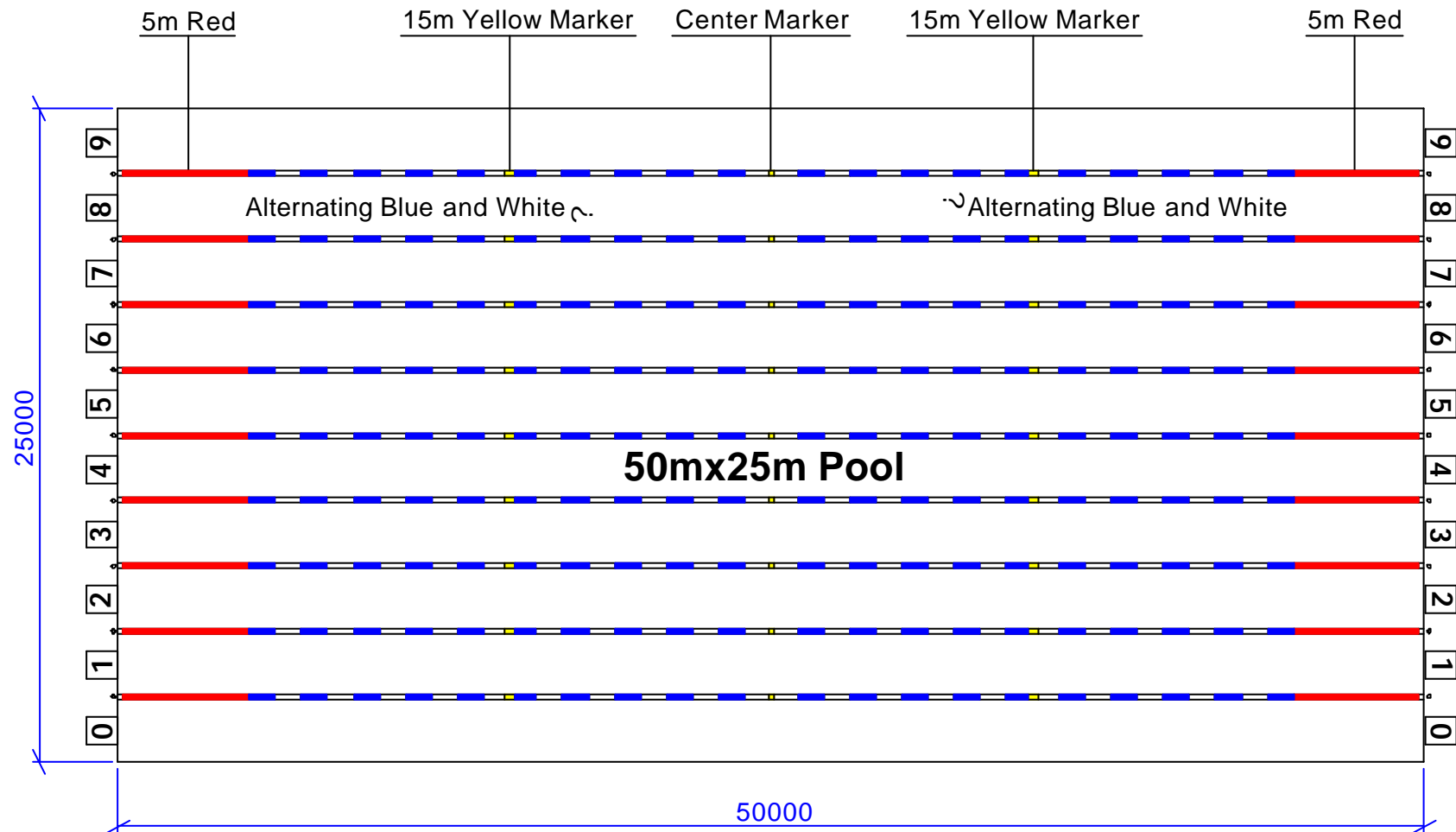


PROPRIETARY AND CONFIDENTIAL
 The information contained in this drawing is the sole property of ANTI WAVE, any reproduction in part or as a whole without the written permission of ANTI WAVE is prohibited.

Project Name:		Product Name:		Project No.	AWE00130	Product No.	07
Swimming Lane		Maxi 150mm Disc		Drawn Date	2007-04-26	Verify Date	
Drawn	Philip	Scale	No	Patents	2001285610;7100219;4048677;01818714.5 & 2003/2920 e.g.		

Anti Wave Swimming Lane

Open Drawing



Anti Wave standard color for 50m Training Pool

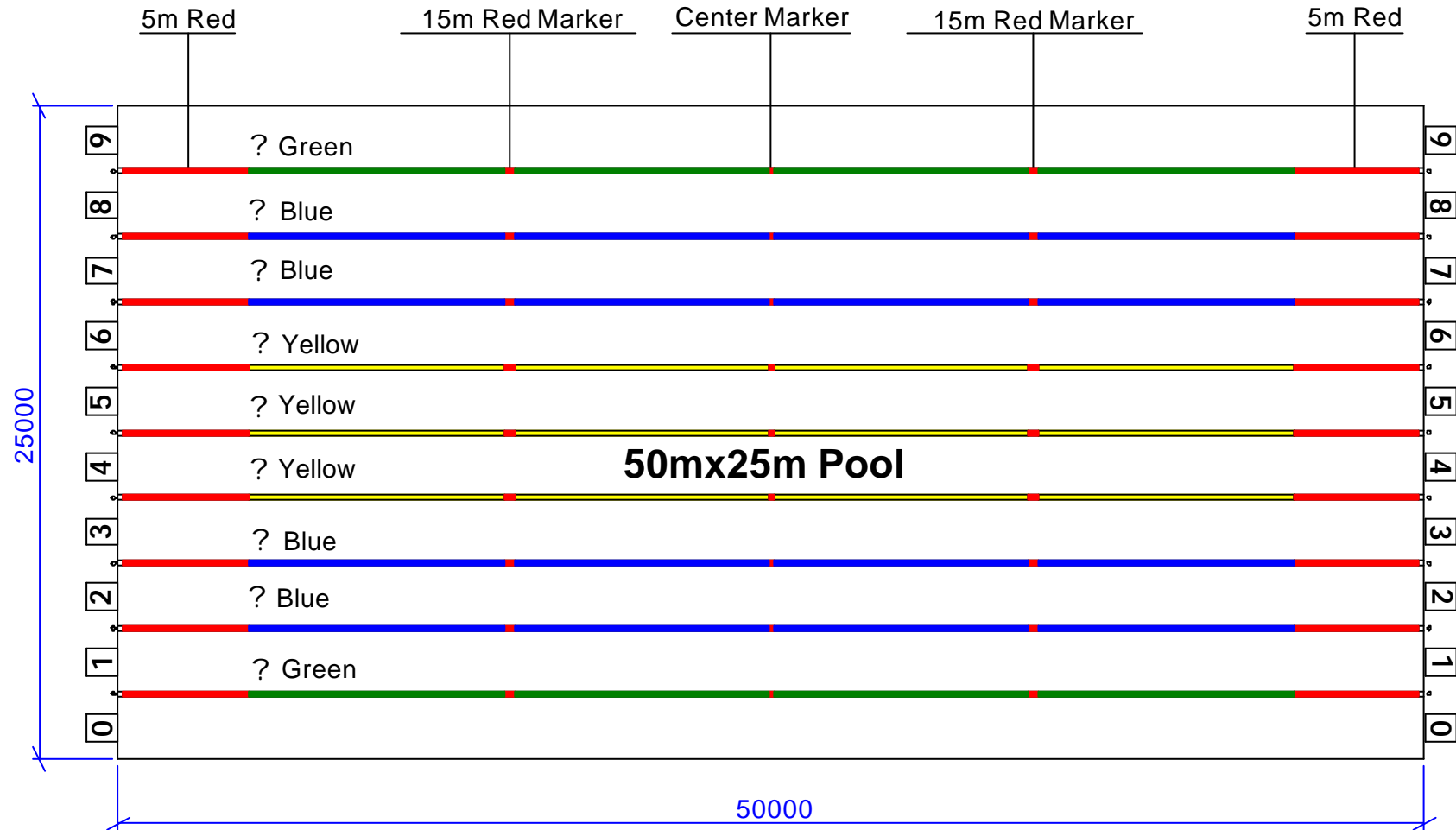


PROPRIETARY AND CONFIDENTIAL
 The information contained in this drawing is the sole property of ANTI WAVE, any reproduction in part or as a whole without the written permission of ANTI WAVE is prohibited.

Project Name: Swimming Lane				Product Name: Standard Color for 50m Training Pool		Project No. AWE00130	Product No. 08
Drawn Philip				Scale No		Patents	2001285610;7100219;4048677;01818714.5 & 2003/2920 e.g.
						Drawn Date 2007-04-26	Verify Date

Anti Wave Swimming Lane

Open Drawing



Anti Wave standard color for 50m Fina Pool



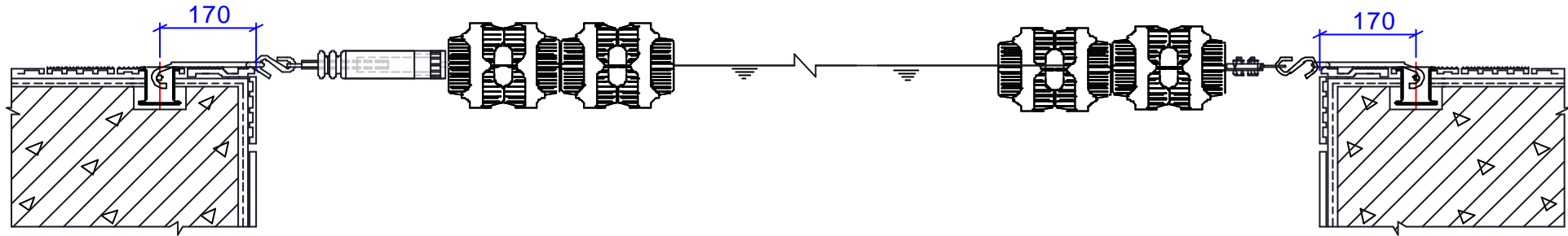
PROPRIETARY AND CONFIDENTIAL
 The information contained in this drawing is the sole property of ANTI WAVE, any reproduction in part or as a whole without the written permission of ANTI WAVE is prohibited.

Project Name:		Product Name:		Project No.	AWE00130	Product No.	09
Swimming Lane		Standard Color for 50m Fina Pool		Drawn Date	2007-04-26	Verify Date	
Drawn	Philip	Scale	No	Patents	2001285610;7100219;4048677;01818714.5 & 2003/2920 e.g.		

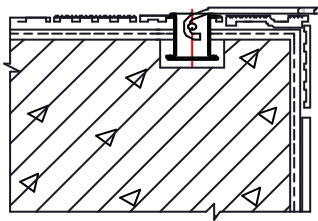
Anti Wave Swimming Lane

Open Drawing

General Sketch

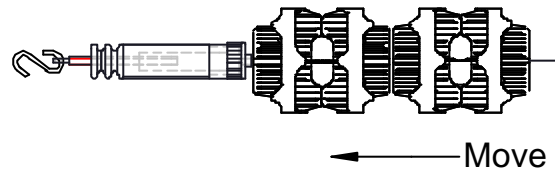


Step 1



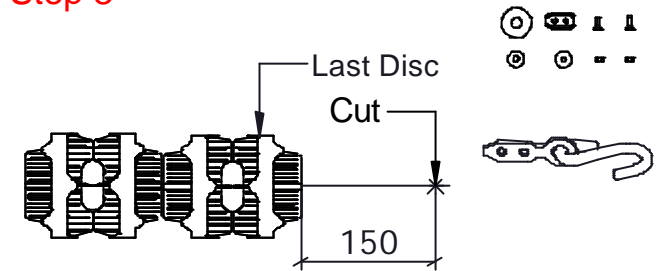
Install Lane Anchors correctly in the Pool Wall and wait one week before stressing them, hitch the Long Hooks to the Lane Anchor when you want to install the Lanes.

Step 2



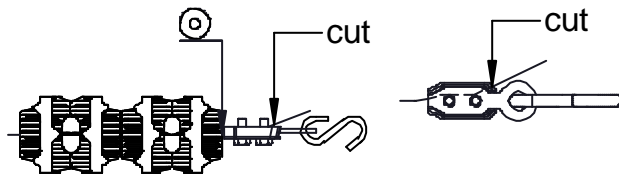
Open the Lane package, take the Super Tensioner's side and move all Discs and Floats to this side tightly.

Step 3



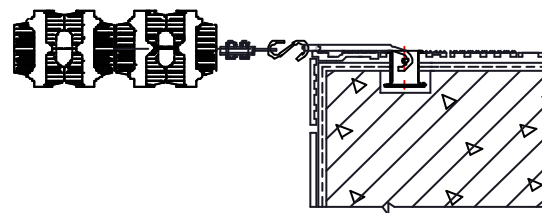
Cut the Stainless Steel Cable as above drawing, then uninstall the Long Clamp.

Step 4



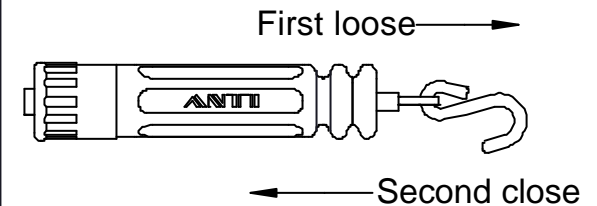
Fix the S Hook to the Stainless Steel Cable as above drawing, then use the Washers and Nuts to screw them, then cut the extra Cable. Note: do not forget the Washer attached the last Discs.

Step 5



Hitch the S Hooks to the Lane Anchor, then take the Lane to the another side of the pool.

Step 6



Loose the long bolt of Super Tensioner, hitch the S Hooks to the another said of the pool, then close the long bolt, so finished all the Lane's assembly.



PROPRIETARY AND CONFIDENTIAL
The information contained in this drawing is the sole property of ANTI WAVE, any reproduction in part or as a whole without the written permission of ANTI WAVE is prohibited.

Project Name:
Swimming Lane

Drawn Philip Scale No

Product Name:
Lane Assembly Instruction

Patents 2001285610;7100219;4048677;01818714.5 & 2003/2920 e.g.

Project No.	AWE00130	Product No.	10
Drawn Date	2007-04-26	Verify Date	