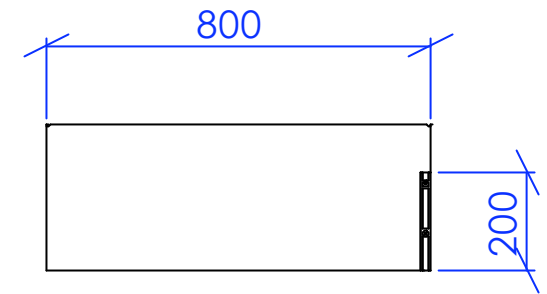
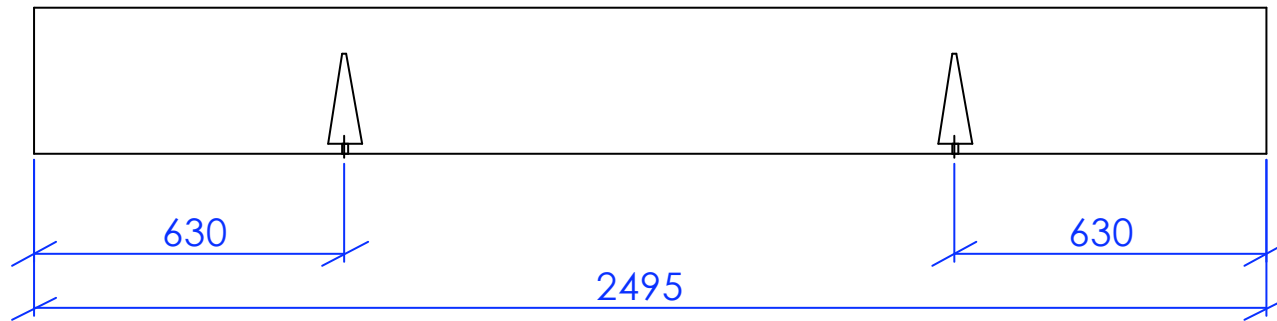


Front View



Side View



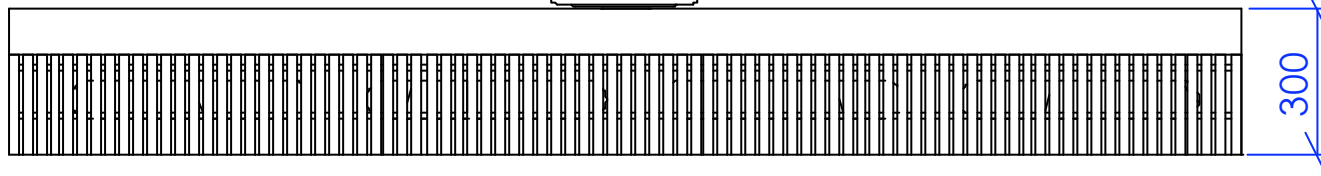
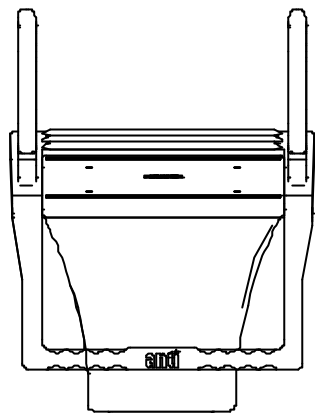
Back View



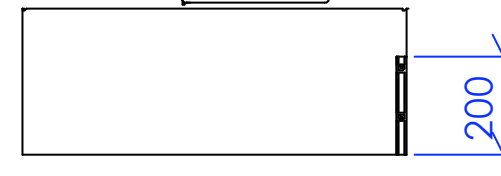
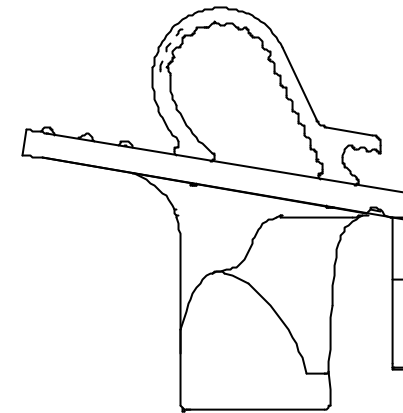
PROPRIETARY AND CONFIDENTIAL
 The information contained in this drawing is the sole property of ANTI WAVE. any reproduction in part or as a whole without the written permission of ANTI WAVE is prohibited.

©ANTI WAVE 2008

Project Name:			Product Name:			Project No.	AWE00560	Parts No.	01
Endwall			Endwall			Drawn Date	2008-06-18	Verify Date	
Drawn	Philip Chen	Scale	1:15	Page 1 Total 1		Revise Date		Verify Date	



Front View



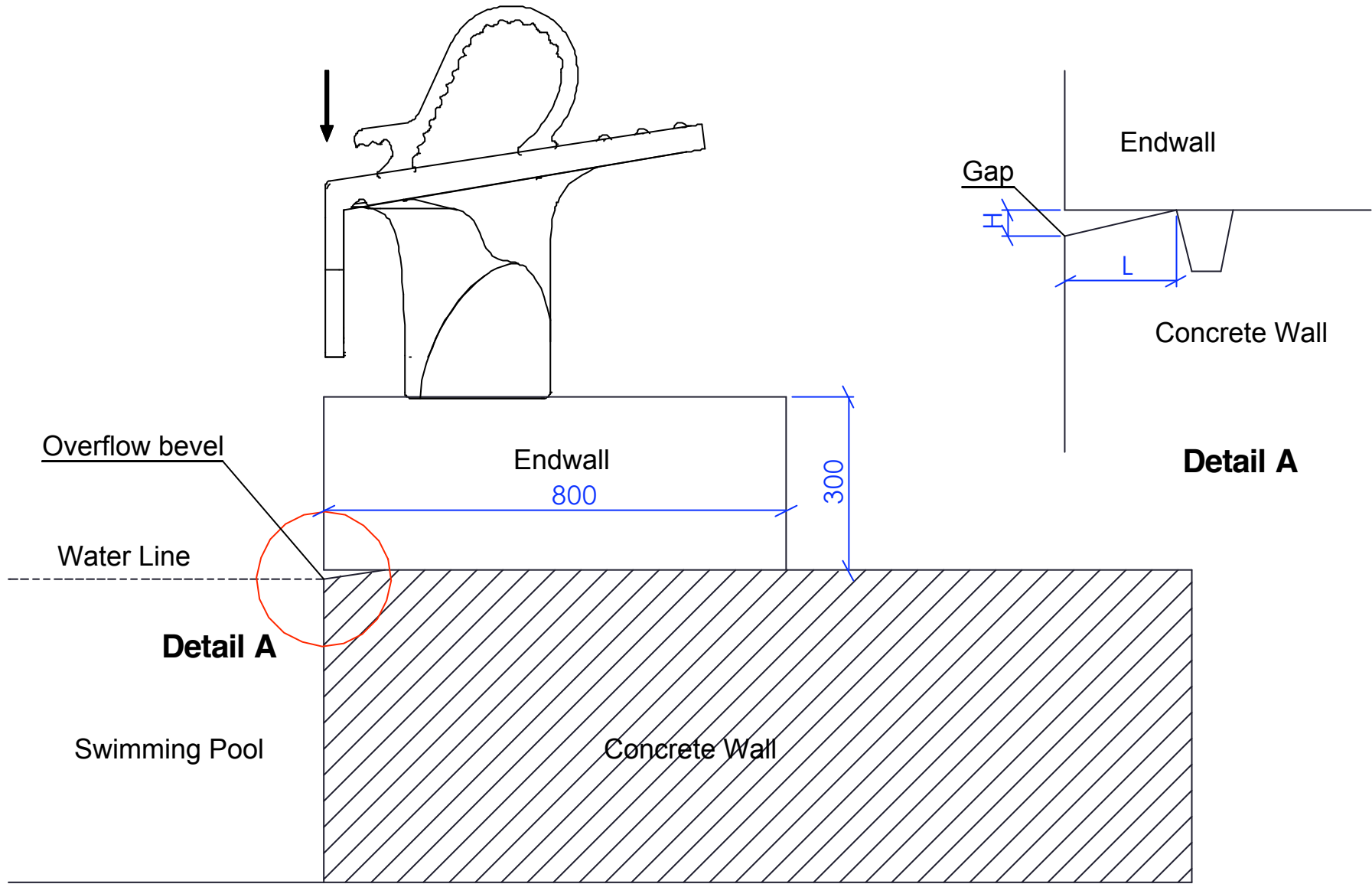
Side View



PROPRIETARY AND CONFIDENTIAL
 The information contained in this drawing is the sole property of ANTI WAVE. any reproduction in part or as a whole without the written permission of ANTI WAVE is prohibited.

©ANTI WAVE 2008

Project Name:			Product Name:			Project No.	AWE00560	Parts No.	01
Endwall			Endwall with Starting Block			Drawn Date	2008-06-18	Verify Date	
Drawn	Philip Chen	Scale	1:15	Page 1 Total 1		Revise Date		Verify Date	



PROPRIETARY AND CONFIDENTIAL
 The information contained in this drawing is the sole property of ANTI WAVE, any reproduction in part or as a whole without the written permission of ANTI WAVE is prohibited.

©ANTI WAVE 2008

Project Name:		Product Name:		Project No.	Parts No.
Endwall		End wall with Starting Block		Drawn Date 2008-06-18	Verify Date
Drawn Philip Chen	Scale 1:12	Page 1 Total 1	Revise Date	Verify Date	Verify Date