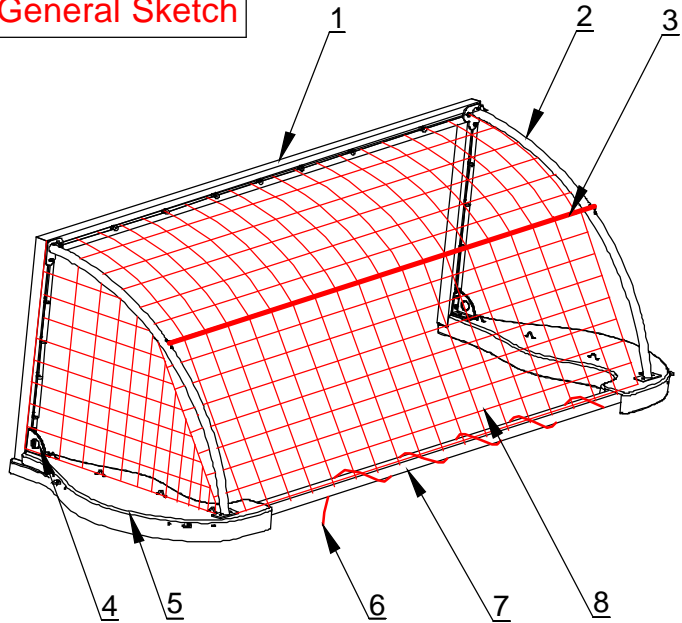


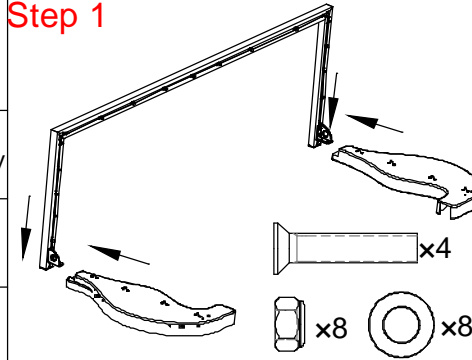
Club Goal Assembly Instructions

General Sketch



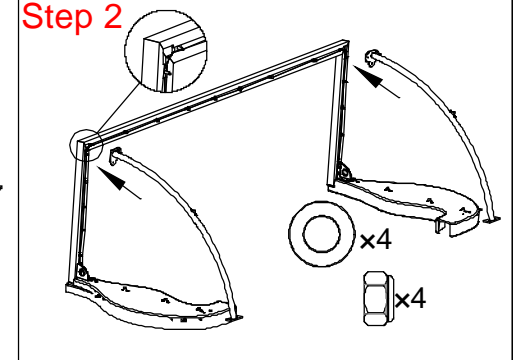
No	Name	Qty
①	Front Frame	1
②	Side Bow	2
③	Cable & Clamp & Shackles	1
④	FRP Corner	2
⑤	Small Float	2
⑥	White Rope	1
⑦	Square Tube	1
⑧	White Net	1
⑨	Slide Block	8
⑩	Eyelet	15
⑪	M8X40 Countersunk Bolt	4
⑫	M8X80 Countersunk Bolt	4
⑬	M8 Lock Nut and Washer	16

Step 1



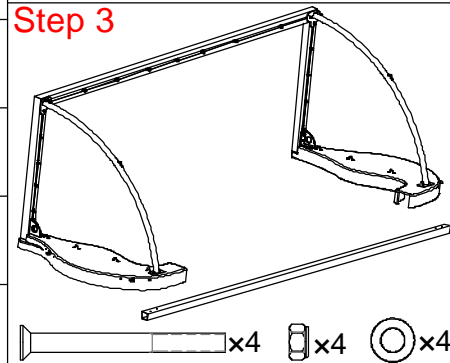
Use FRP Corner, Slide Blocks, M8X40 Countersunk Bolts, Washers and Lock Nuts to connect Front Frame to the Small Floats.

Step 2



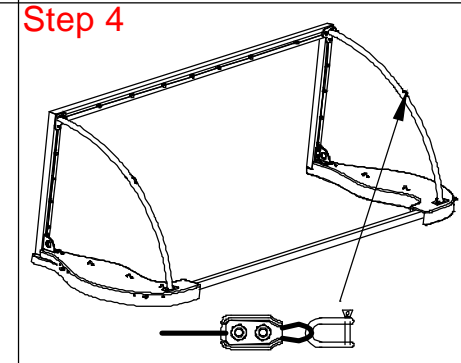
Slide the Slide Blocks and Eyelets, use Slide Blocks, Washers and Lock Nuts to connect the Side Bows to the Front Frame.

Step 3



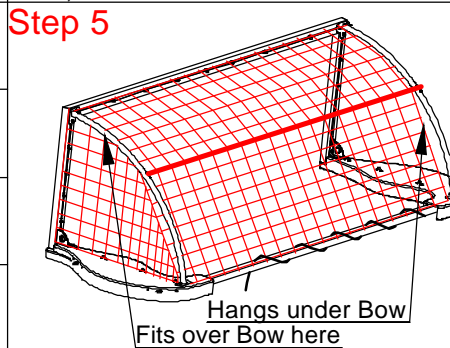
Line up the holes of Small Floats, Side Bows and Square Tube, use M8X80 Countersunk Bolts, Washers & Lock Nuts to connect them.

Step 4



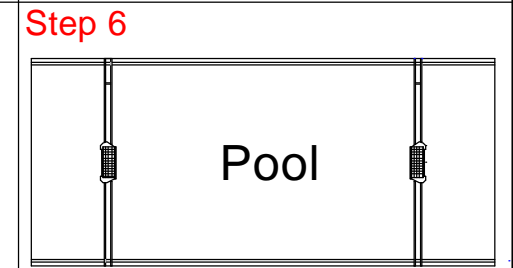
Connect the Shackles and Saddles to install the SUS316 Cable to both the Side Bows.

Step 5



Use White Rope to go through the Eyelets and Saddles, lace the Square Tube to fix the White Net to Club Goal as above.

Step 6



Follow Step 1 to Step 5 to assemble another Club Goal, then install the two Club Goals in the Polo Pool.



anti

Project Name: Club Goal

Product Name: Installation

Project No. AWE00430 Product No. 01

Date 2005-12-13 Revise 01

Drawn Philip Chen Verify Anti Scale No

Material No Page 1 total 1