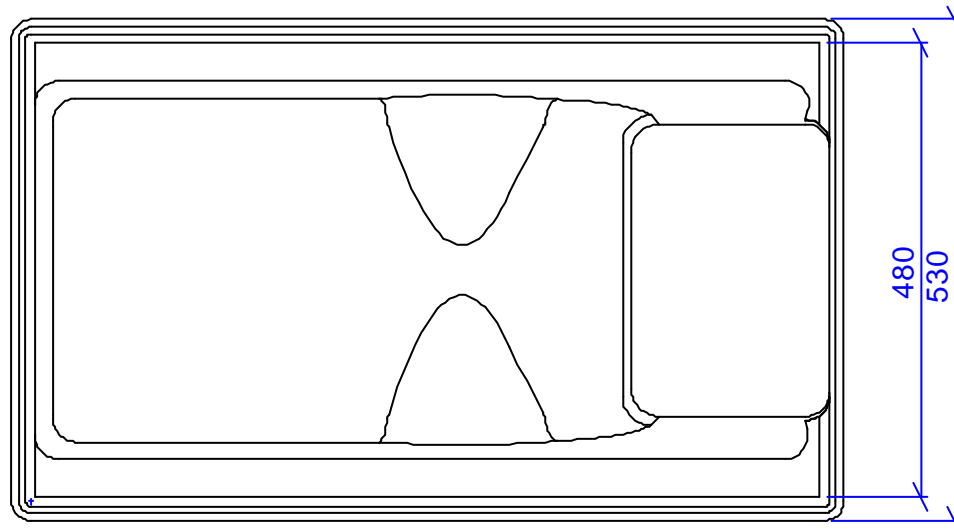
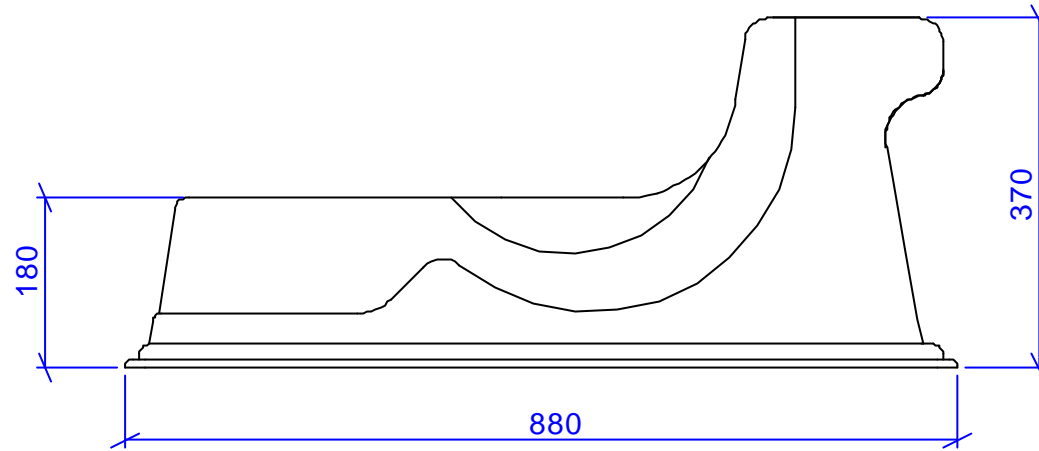


Anti Wave FRP Elevator

Open Drawing



Note:

1. The Anti Wave Block Elevator is designed to provide the extra height necessary in wet-deck pools and other special cases, a non-slip mounting step is integrated in to the Elevator.
2. The Block Elevator is made from Fibre Reinforced Plastics. It is very pretty and durable.
3. The Block Elevator can be installed on the Concrete beside pools with Dyna set. It can be used with our Super Block and Anti Block by Hex Bolts.
4. Owing to specify distance(no more than 750mm by FINA) from water line to starting block, so please provide sketch and show us the height of Block Elevator do you want to order.

antiTM

PROPRIETARY AND CONFIDENTIAL
The information contained in this drawing is the sole property of ANTI WAVE, any reproduction in part or as a whole without the written permission of ANTI WAVE is prohibited.

©ANTI WAVE 2007

Project Name:
FRP Elevator

Product Name:
FRP Elevator

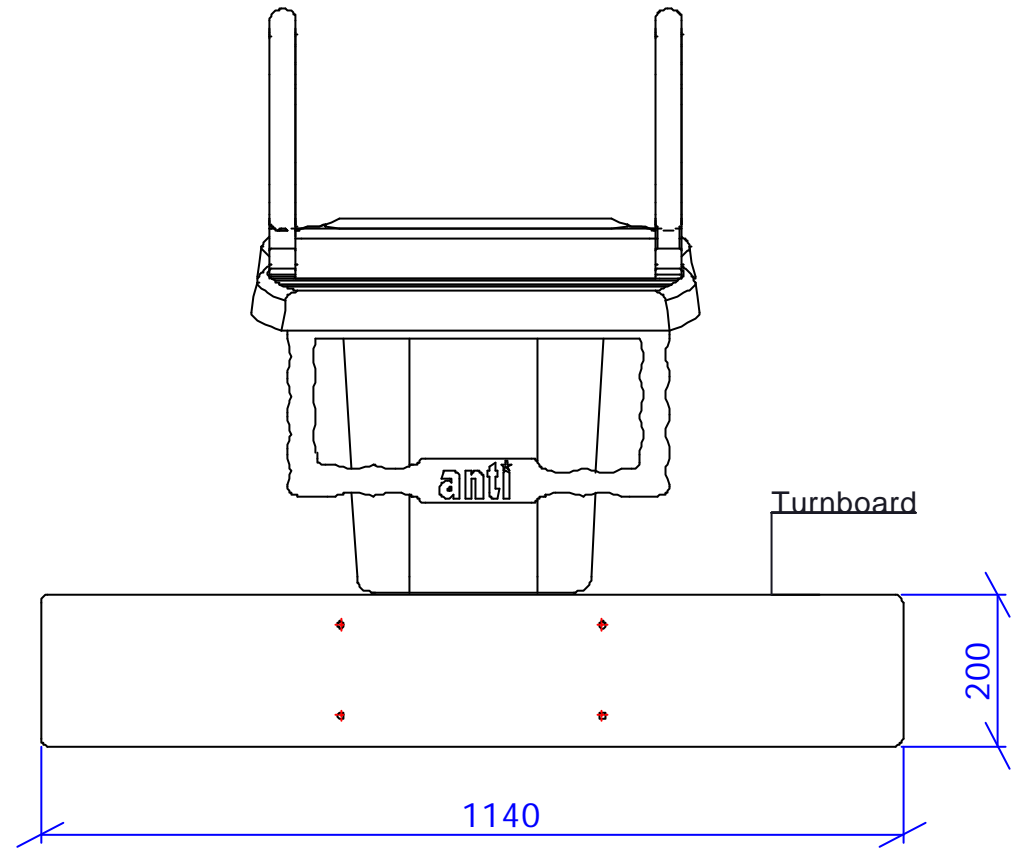
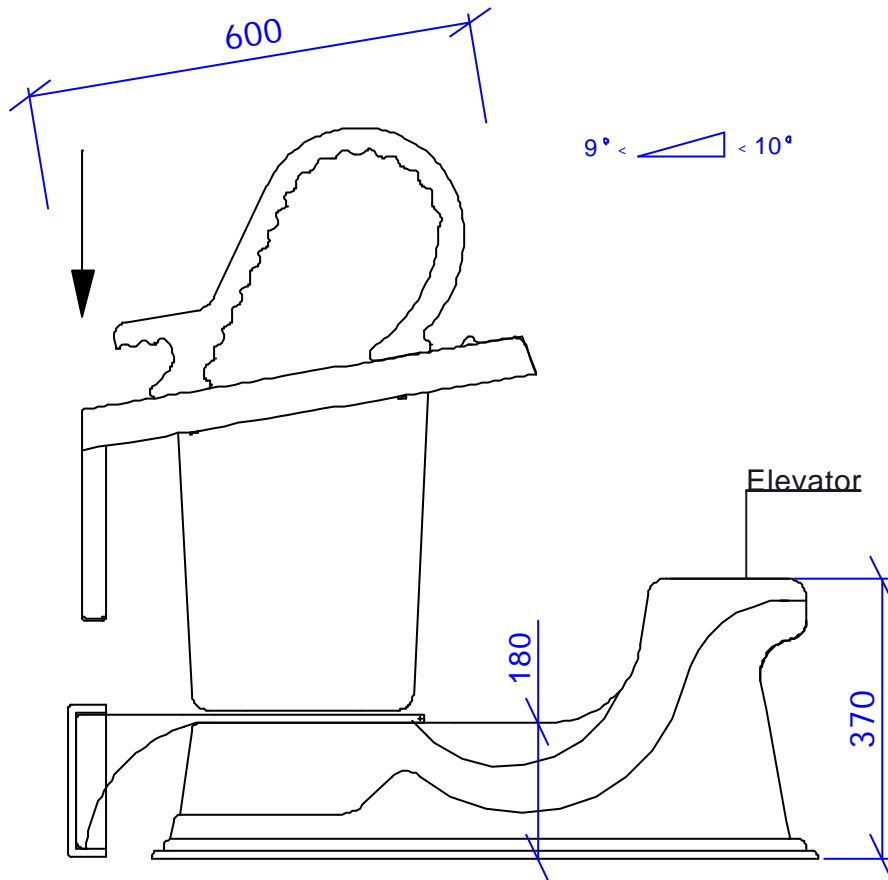
Project No. AWE00065 Product No. 01

Drawn Date 2007-04-26 Verify Date

Drawn Philip Scale No Patents 2001285610;7100219;4048677;01818714.5 & 2003/2920 e.g.

Anti Wave FRP Elevator

Open Drawing



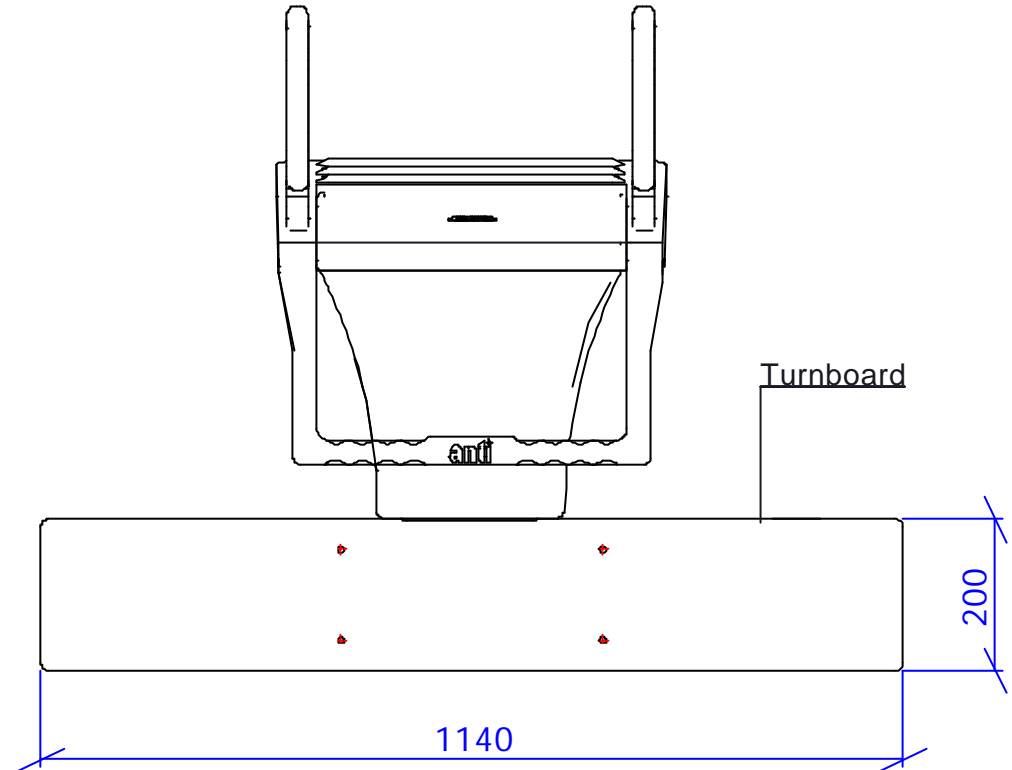
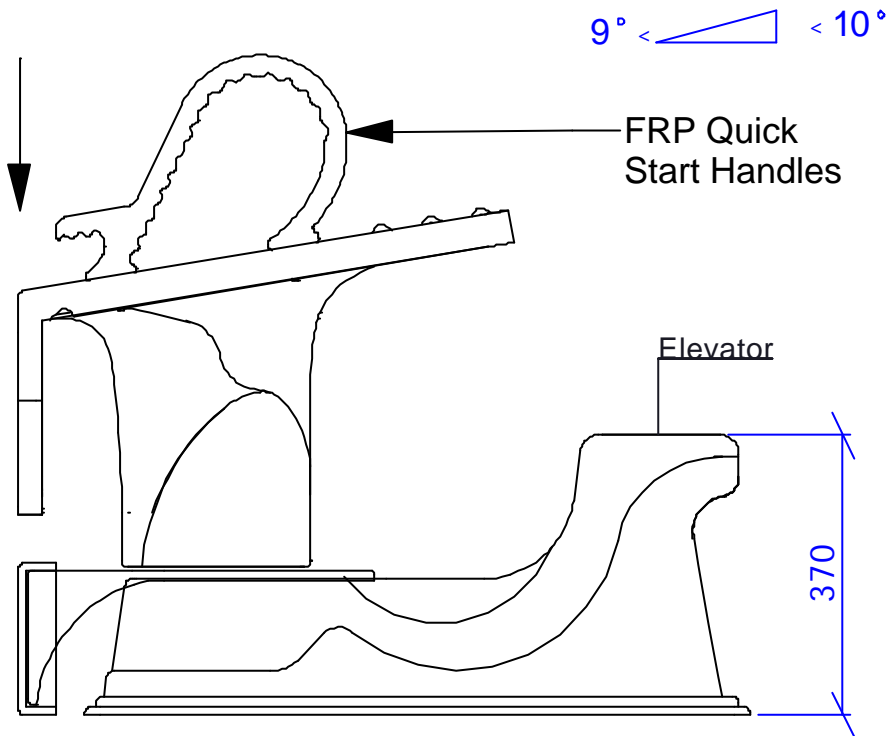
PROPRIETARY AND CONFIDENTIAL
 The information contained in this drawing is the sole property of ANTI WAVE, any reproduction in part or as a whole without the written permission of ANTI WAVE is prohibited.

©ANTI WAVE 2007

Project Name:				Product Name:		Project No.	AWE00065	Product No.	02
FRP Elevator				Elevator with Anti Block		Drawn Date	2007-04-26	Verify Date	
Drawn	Philip	Scale	No	Patents	2001285610;7100219;4048677;01818714.5 & 2003/2920 e.g.				

Anti Wave FRP Elevator

Open Drawing



Note: The Anti Wave Block Elevator is designed to provide the extra height necessary in wet-deck pools and other special cases.



PROPRIETARY AND CONFIDENTIAL
The information contained in this drawing is the sole property of ANTI WAVE, any reproduction in part or as a whole without the written permission of ANTI WAVE is prohibited.

©ANTI WAVE 2007

Project Name:
FRP Elevator

Product Name:
Elevator with
Super Block

Project No. AWE00065

Product No. 03

Drawn Date 2007-04-26

Verify Date

Drawn Philip

Scale

No

Patents

2001285610;7100219;4048677;01818714.5 & 2003/2920 e.g.