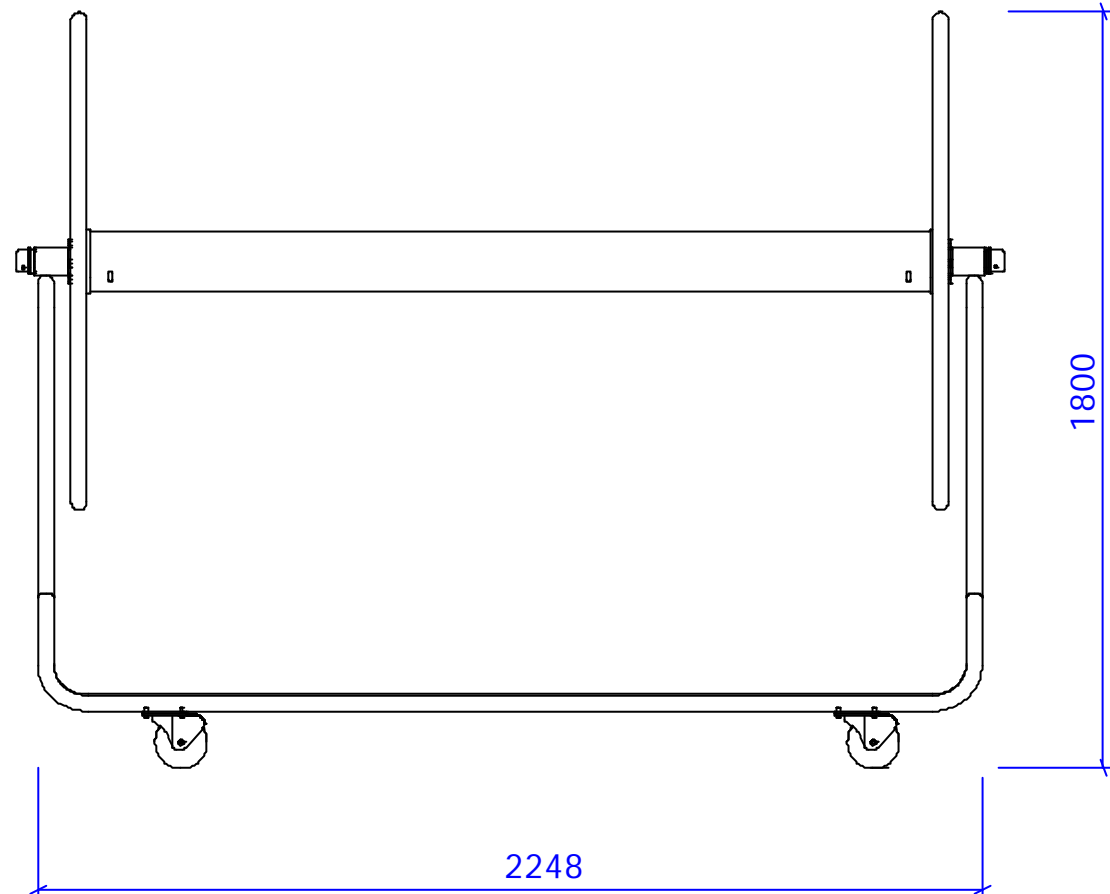
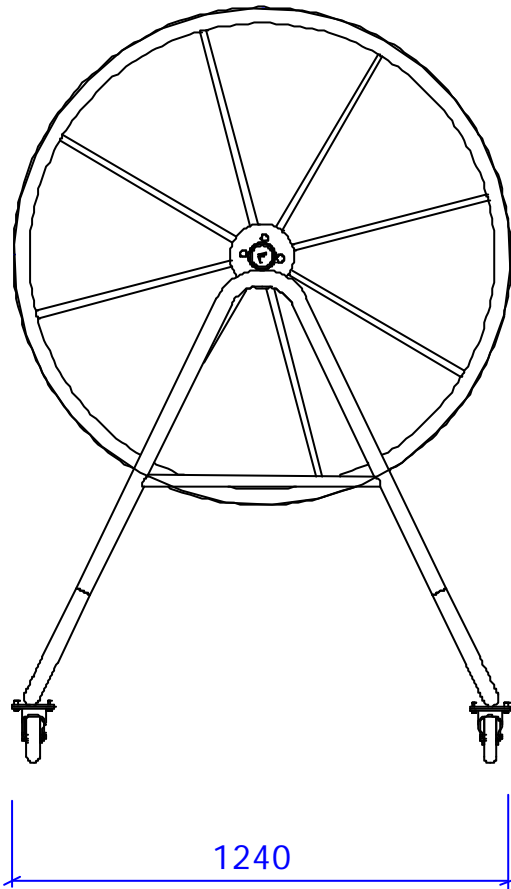


Anti Wave Storage Reel

Open Drawing



Note:

1. The Anti Wave Storage Reel provides convenient mobile storage for your Anti Wave racing lanes or water polo fields.
2. Sturdy construction with rugged castors and attractive finish. Holds six 25 m Midi 110 lanes or four 25m Maxi 150 lanes .
3. The StoReel is made from corrosion-resistant aluminium, it is very strong and durable.

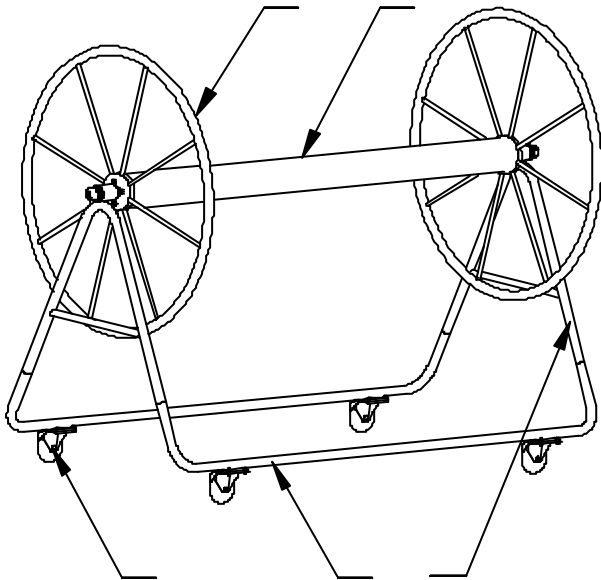


PROPRIETARY AND CONFIDENTIAL
 The information contained in this drawing is the sole property of ANTI WAVE, any reproduction in part or as a whole without the written permission of ANTI WAVE is prohibited.

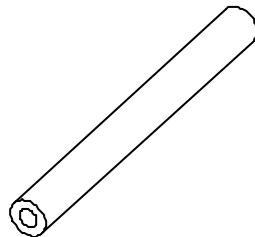
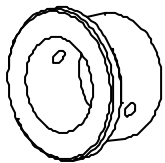
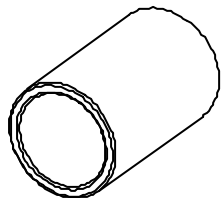
Project Name:		Product Name:		Project No.	AWE00810	Product No.	01
Storage Reel		Storage Reel		Drawn Date	2007-04-26	Verify Date	
Drawn	Philip	Scale	No	Patents	2001285610;7100219;4048677;01818714.5 & 2003/2920 e.g.		

StoReel Assembly Instructions

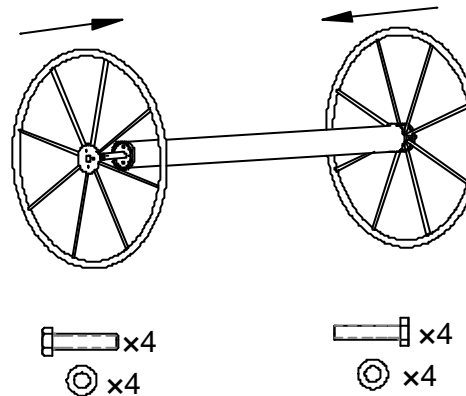
General Sketch



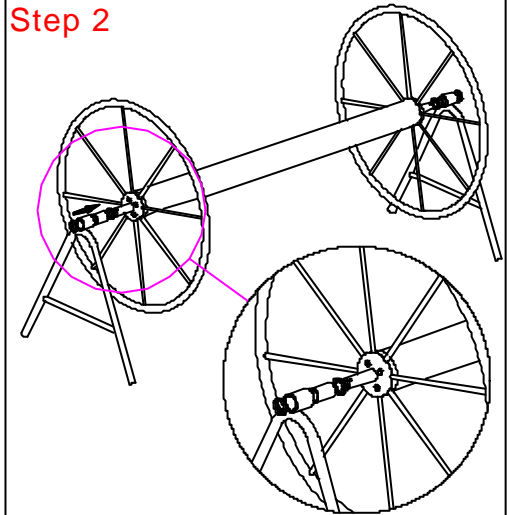
No.	Name	Qty
①	Disc	2
②	Axle	1
③	"A" Frame	2
④	"U" Frame	2
⑤	Caster Wheel	4
⑥	Nylon Bush	2
⑦	Nylon Washer	4
⑧	FRP axle Cap	2
⑨	Aluminium Dowel	4
⑩	M10X45 Hex Bolt	8
⑪	M10 Washer	8
⑫	M6X80 Round Head Bolt	2
⑬	M6 Lock Nut	2
⑭	M6 Washer	2
⑮	M8X20 Round Head Bolt	16
⑯	M8 Lock Nut	16
⑰	M8 Washer	32



Step 1

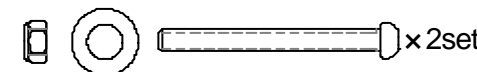
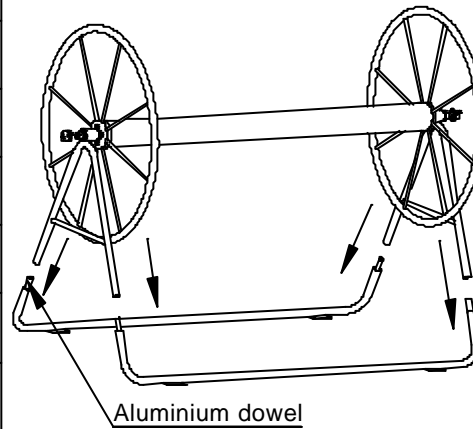


Step 2



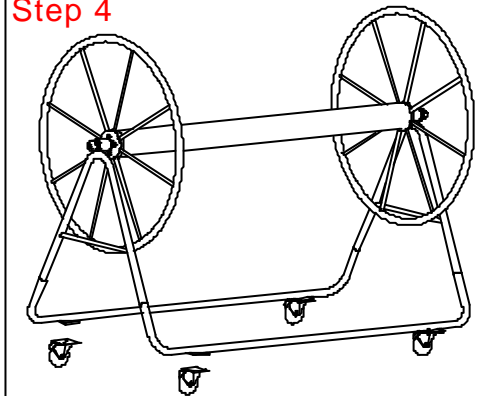
Slip the Nylon Washer, Nylon Bush, the top tube of "A" Frame and Nylon Washer on both ends of the Axle.

Step 3



Put the "U" Frame on the ground as above, connect the "A" Frame and the "U" Frame, then use M6X80 Round Head Bolts, Washers and Lock Nuts to fix the Axle Cap to both ends of the Axle.

Step 4



x4set (1 per Castor Wheels)

Use M8X20 Round Head Bolts, Washers and Lock Nuts to fix the Caster Wheel to the plate of "U" Frame, then place the Cover over the StoReel.



PROPRIETARY AND CONFIDENTIAL
 The information contained in this drawing is the sole property of ANTI WAVE, any reproduction in part or as a whole without the written permission of ANTI WAVE is prohibited.

Project Name: Storage Reel
 Drawn Philip Scale No Patents

Product Name: Storage Reel
 2001285610; 7100219; 4048677; 01818714.5 & 2003/2920 e.g.

Project No. AWE00810
 Drawn Date 2007-04-26

Product No. 02
 Verify Date